



ITEM	PART#	QTY	DESCRIPTION
1	1522-1	1	Winch Mount Plate

**Winch Mount Installation Instructions**  
**99-05 Bombardier Quest & Traxter**  
**PART# 4505-0641**

**(Roller Fairlead is not included with this mount.)**

Remove the front plastic bumper cover.

Remove the four bolts that hold the OEM winch mount in place.

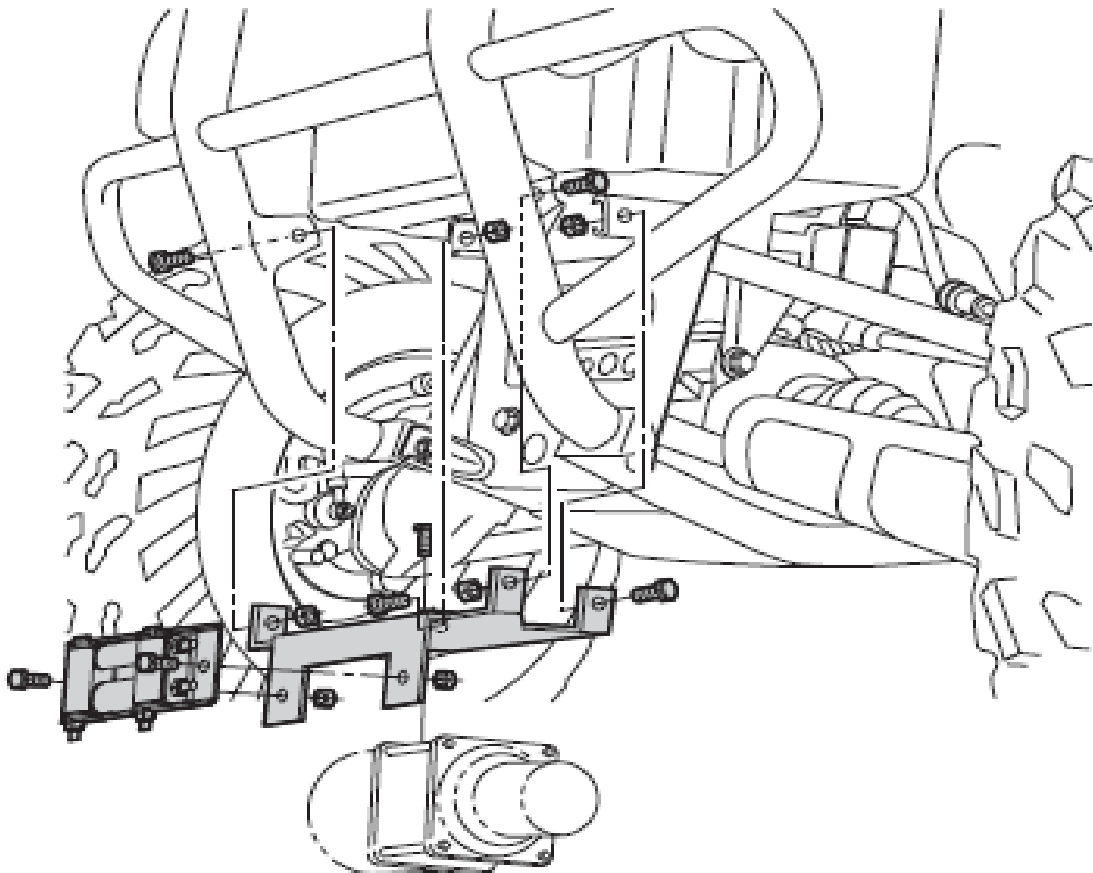
Install the new winch mount as illustrated using the original bolt you just removed.

Install the winch to the mount upside down with the bolts provided with the winch.

OPTIONAL: You can leave the bumper cover off or hold it up against the bumper and mark the opening for the roller fairlead. Cut the bumper cover where marked and replace using the bolts you previously removed.

Install Fairlead with hardware provided with winch.

Wire to winch manufacturer's instructions.



**FOR QUESTIONS OR COMMENTS PLEASE CALL: 320-964-1616 (7:00 to 4:30 CST Monday through Thursday).**

