



WINCH MOUNT INSTALLATION INSTRUCTIONS

05-06 Honda 500 Foreman/Rubicon/GPScape 4x4

PART# 4505-0644

ITEM	QTY.	PART#	DESCRIPTION
1	1	1528-1	Main Winch Mount Plate
2	2	HDW2004	1/4 x 1-3/4 Hex Bolt
3	2	HDW7050	1/4 Nylock Nut
4	2	HDW9012	1/4 Flat Washer
5	2	HJDW9407	7/8 U-Clamp

Remove the plastic lower front skid plate and the plastic upper bumper guard.

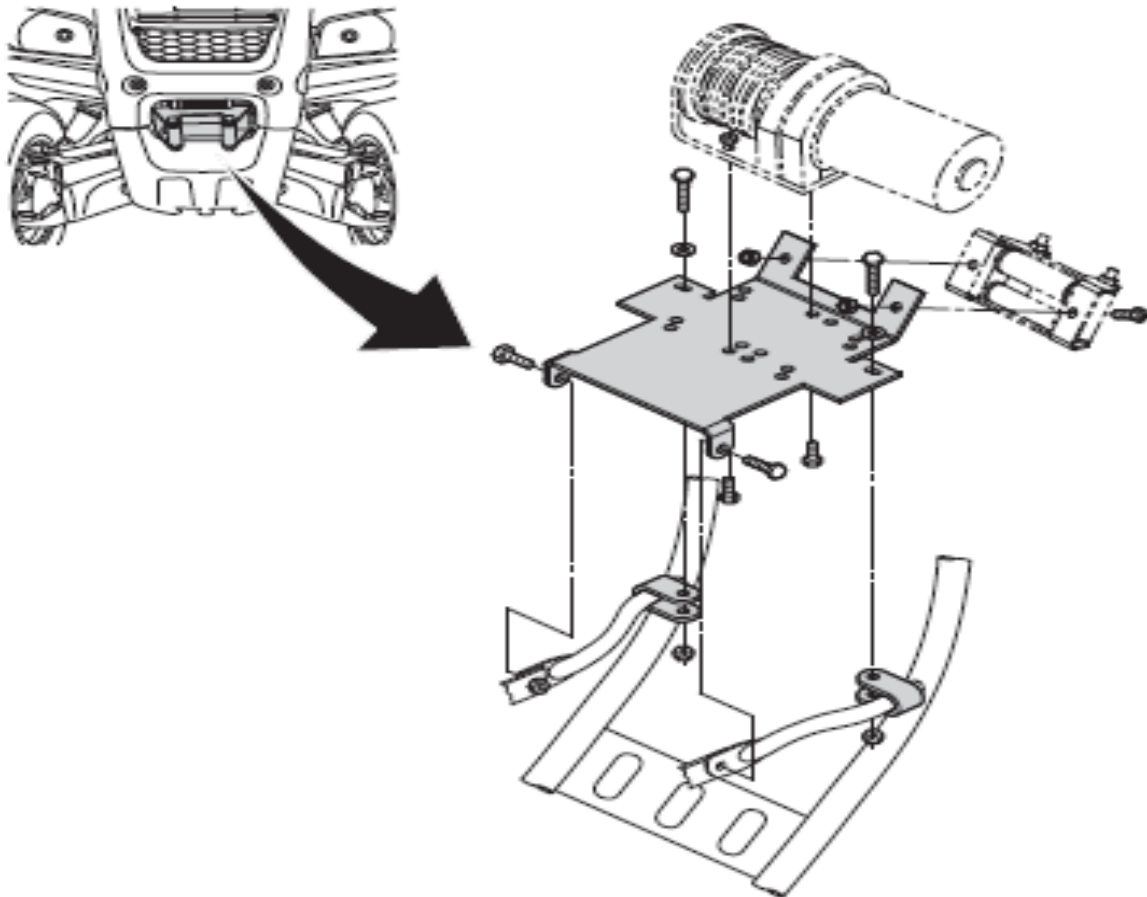
Remove the two bumper mounting bolts from the horizontal legs of the bumper.

Install the u-clamps at the front of the horizontal bumper mounting legs from the outside (see illustration).

Install the mount by reinstalling the original bolts at the back. Install the front to the u-clamps around bumper legs using the 1/4 x 1-3/4 bolts, washers and nuts (see illustration).

Tighten bolts securely. Bolt fairlead in place with hardware provided by winch manufacturer and wire per their instructions.

Reinstall the lower front plastic skid plate and plastic upper bumper guard.



FOR QUESTIONS OR COMMENTS PLEASE CALL: 320-964-1616 (7:00 to 4:30 CST, Monday through Thursday).

INST1528PF