



ITEM	QTY.	PART#	DESCRIPTION
1	1	1548-1	Winch Mount Plate
2	4	HDW2150	5/16 x 1-1/8 x 1-3/4 Rd. U-Bolt
3	8	HDW7058	5/16 Nylock Nut
4	8	HDW9002	5/16 Flat Washer

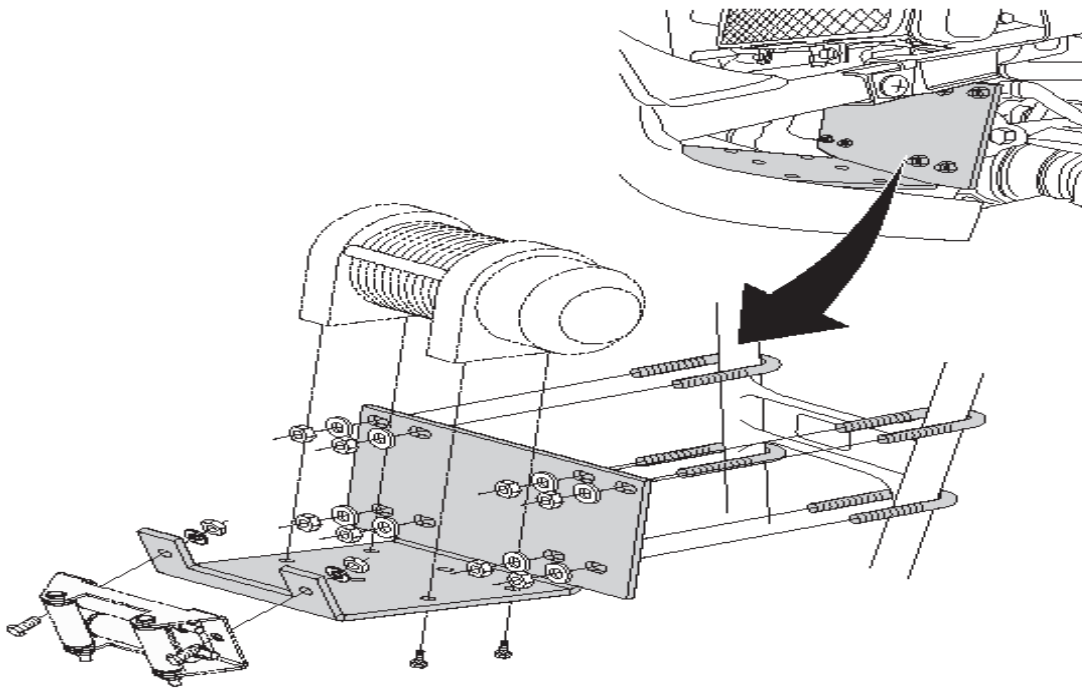
WINCH MOUNT INSTALLATION INSTRUCTIONS

KAWASAKI 650i BRUTE FORCE 2010-2012
KAWASAKI 750 BRUTE FORCE 2005-2017

NOTE: Fairlead is not included with the winch kit.

PART# 41505-0654

1. Remove the upper plastic bumper cover.
2. For easier access, remove the two bolts on the lower plastic bumper cover.
3. Attach the winch mount to the frame tubes as shown using the U-bolts, washers and nylock nuts provided. Install the winch so the cable is coming off the bottom of the spool or drum.
4. Attach the fairlead and winch with hardware provided by winch manufacturer and wire to their instructions.



FOR QUESTIONS OR COMMENTS PLEASE CALL: 320-964-1616 (7:00 to 4:30 CST Monday through Thursday).

INST1548PF