



WINCH MOUNT INSTALLATION INSTRUCTIONS

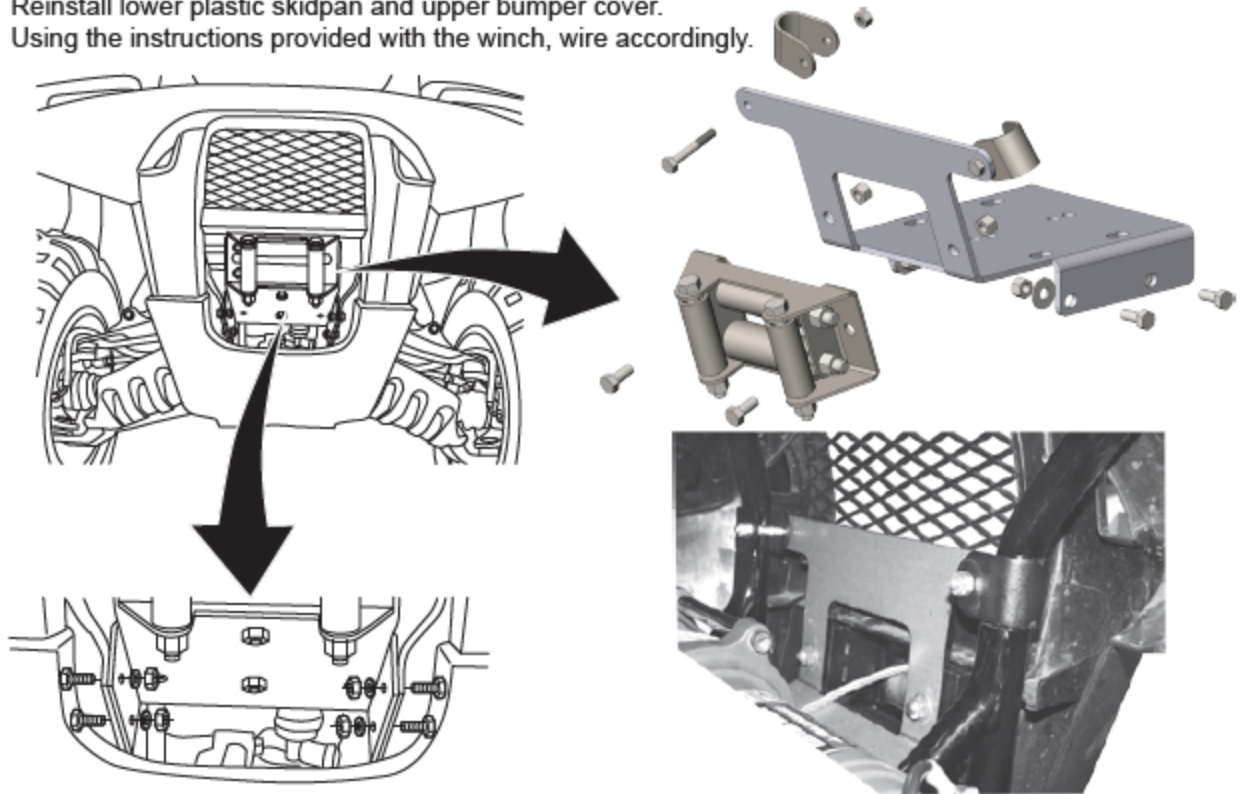
SUZUKI: 450 King Quad 07-10 / 500 King Quad 09-17
700 King Quad 05-07 / 750 King Quad 08-19

PART# 4505-0656

ITEM	QTY.	PART#	DESCRIPTION
1	1	1554-1	Winch Mount Plate
2	4	HDW2050	5/16 x 3/4 Hex Bolt
3	6	HDW7058	5/16 Nylock Nut
4	4	HDW9002	5/16 Flat Washer
5	2	HDW2056	5/16 x 2 Hex Bolt
6	2	HDW9407	7/8 U-Clamp

NOTE: Fairlead is not included with this winch mount kit.

Remove the lower front plastic skidpan and upper plastic bumper cover.
Position the winch mount behind the front bumper framework on the inside of the frame tabs. The top front of the winch mount will go in front of the front bumper tubes. Align the four lower holes in the winch mount with the holes in the frame. Install four 5/16" x 3/4" hex bolts through the frame tabs and the winch mount. Secure using four 5/16" flat washers and 5/16" nylock nuts.
Slide a 7/8" u-clamp over each front bumper tube facing inward and align with the upper tabs on the winch mount. Secure with a 5/16" x 2" hex bolt from the outside and a 5/16" nylock nut on the inside.
Be careful not to overtighten.
Orientate the winch so the cable pulls off the bottom of the drum and bolt to the plate using the hardware provided with the winch.
Reinstall lower plastic skidpan and upper bumper cover.
Using the instructions provided with the winch, wire accordingly.



FOR QUESTIONS OR COMMENTS PLEASE CALL: 320-964-1616 (7:00 to 4:30 CST Monday through Thursday).

INST1554PF