



WINCH MOUNT INSTALLATION INSTRUCTIONS

06-09 350/450 YAMAHA WOLVERINE
PART# 4505-0660

ITEM	PART#	QTY.	DESCRIPTION
1	1570-1	1	Winch Mount Plate
2	HDW9407	2	7/8 U-Clamp
3	HDW2150	2	5/16 x 1-1/8 x 1-3/4 Rd. U-Bolt
4	HDW9002	4	5/16 Flat Washer
5	HDW7058	4	5/16 Nylock Nut
6	HDW2004	2	1/4 x 1-3/4 Hex Bolt
7	HDW7050	2	1/4 Nylock Nut

(Roller Fairlead is not included with mount kit.)

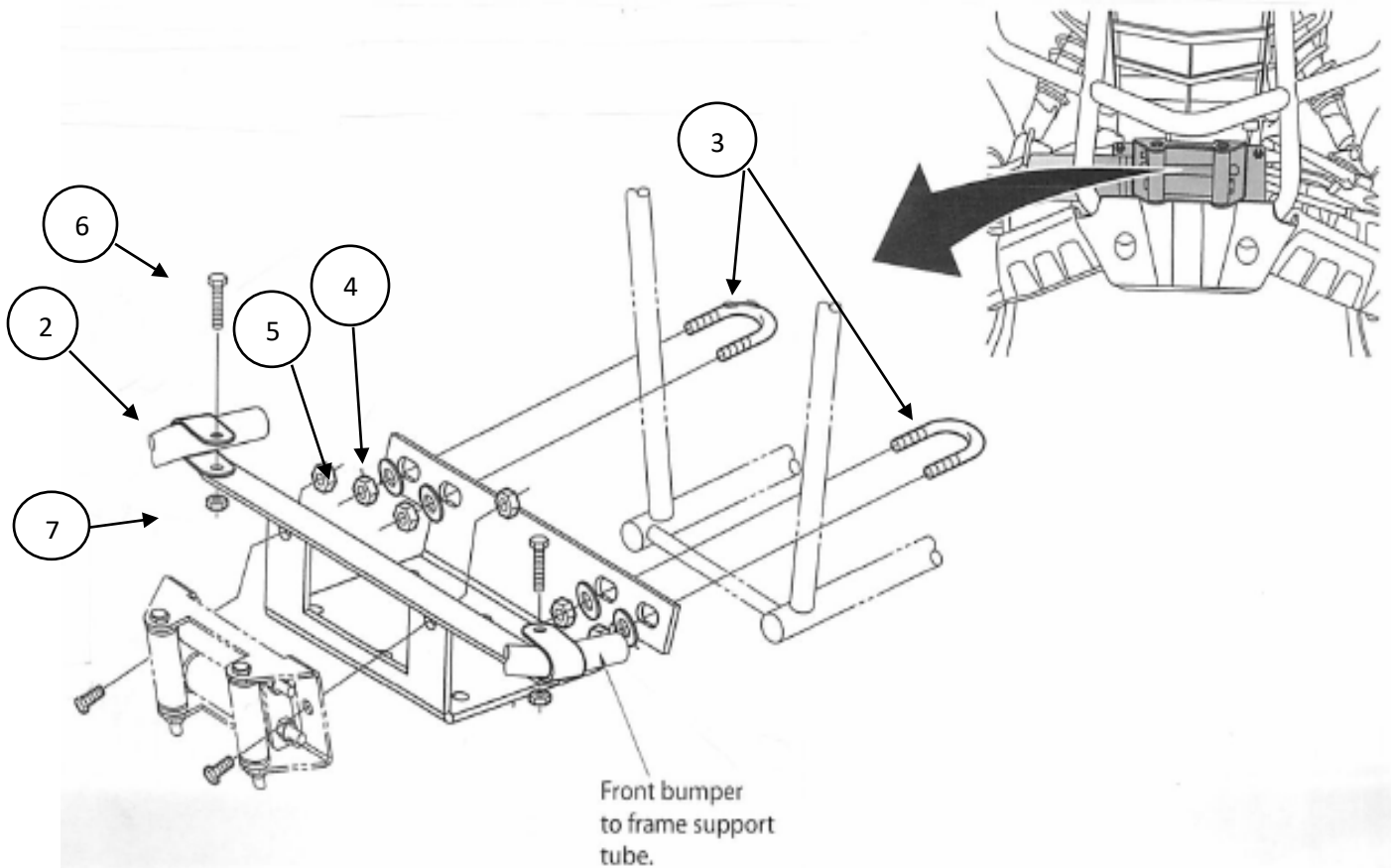
Remove the two front skid plate bolts. Remove the four bolts that attach the front bumper and remove the front bumper.

Attach the back of the winch mount to the ATV frame as illustrated. Use the U-bolts in the kit to attach along with washers and nuts. **(Do not fully tighten.)**

Reinstall the front bumper making sure the winch mount is below the two horizontal bumper legs. Place the 3/4" U-clamp around the horizontal bumper leg as shown. Secure the winch mount to the clamps using the 1/4" hex bolts and nuts. Position the winch mount just above the front skid plate and secure.

Bolt fairlead to the mount using hardware provided with winch. Bolt in the winch and wire to manufacturer's specifications.

Re-install the front skid plate with bolts previously removed.



FOR QUESTIONS OR COMMENTS PLEASE CALL: 320-964-1616 (7:00 to 4:30 CST Monday through Thursday).