



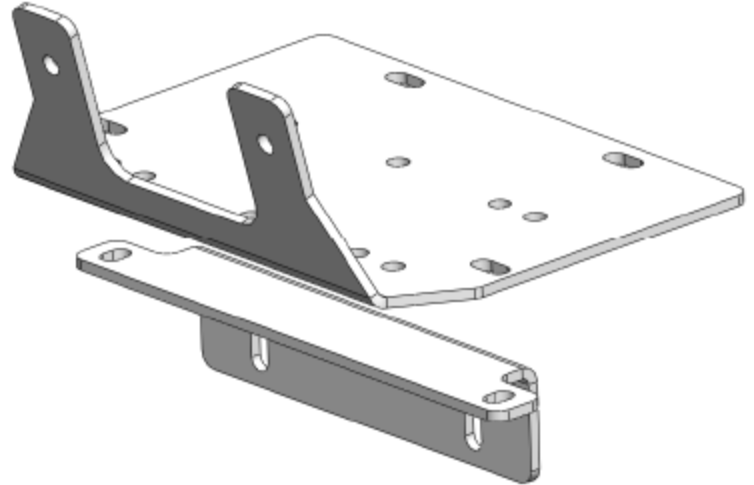
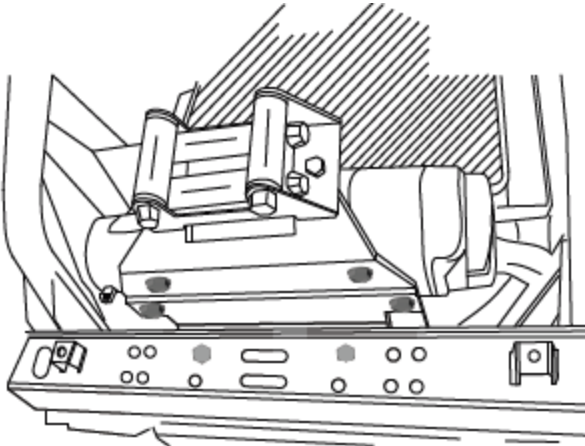
WINCH MOUNT INSTRUCTIONS

KAWASAKI 4010 MULE 09-18

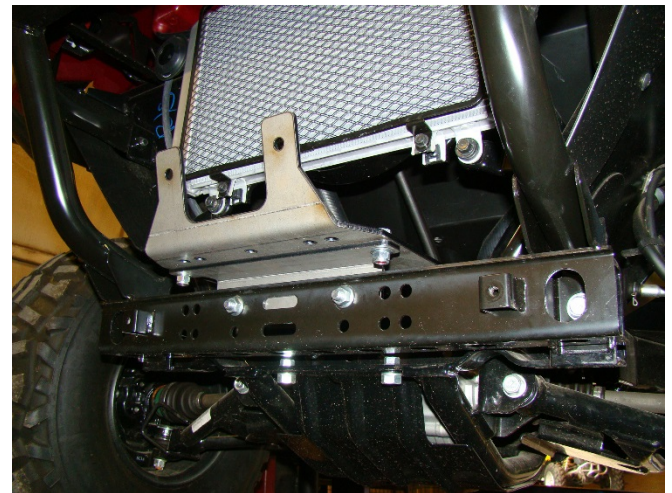
(Will not fit Diesel) & (Fairlead not included)

PART# 4505-0675

ITEM	QTY.	PART#	DESCRIPTION
1	1	1508-1	Main Winch Mount Plate
2	1	1508-2	Support Plate
3	4	HDW2100	3/8 x 1 Hex Bolt
4	4	HDW7061	3/8 Nylock Nut
5	6	HDW9029	3/8 Flat Washer
6	4	HDW9002	5/16 Flat Washer
7	2	HDW7058	5/16 Nylock Nut
8	2	HDW2051	5/16 x 1 Hex Bolt



Attach support plate to inside of front bumper channel with the 3/8 x 1 bolts, washers and nylock nuts.



Install winch to winch plate with hardware provided with winch. Next place mount in place on top of support plate and bolt down with 5/16 x 1 hex bolts, four flat washers and nylock nuts. Secure in back with 3/8 x 1 hex bolts, washers and nylock nuts.



Attach fairlead with hardware provided with the winch. Align and tighten all bolts. Wire winch to manufacturer's instructions.

FOR QUESTIONS OR COMMENTS PLEASE CALL: 320-964-1616 (7:00 to 4:30 CST Monday through Thursday).

INST1508PF