



ITEM	PART#	QTY.	DESCRIPTION
1	1598-1	1	Main Winch Mount Plate
2	1598-2	1	Fairlead Plate
3	HDW2069	6	5/16 x 3/4 Carriage Bolt
4	HDW7058	6	5/16 Nylock Nut
5	HDW9002	6	5/16 Flat Washer

WINCH MOUNT INSTALLATION INSTRUCTIONS

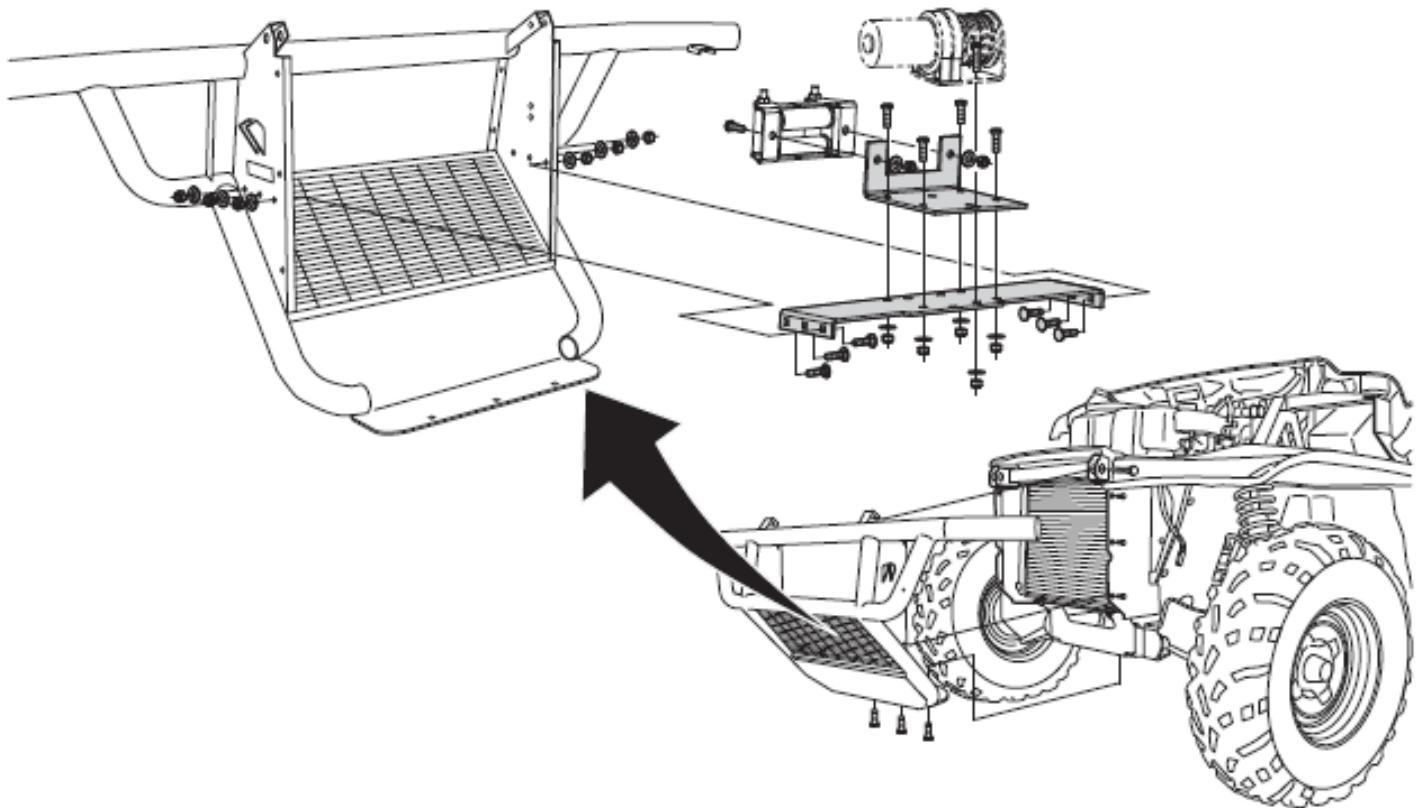
03-08 Polaris Ranger 500, 05 Ranger 500 6x6

05-08 Polaris Ranger 700, 09 Ranger 700 6x6

PART# 4505-0680

NOTE: Fairlead is not included with this winch mount kit.

1. Remove the top two Torx Bolts.
2. Remove the bottom three and the top two bumper bolts.
3. Fold the tab up and push in the plastic buttons to remove the front bumper.
4. Remove the flat grate from inside the bumper.
5. Install the winch mount on the inside of the bumper using the six 5-16 x 3/4 carriage bolts, washers and nylock nuts. See illustration.
6. Align and install winch making sure the fairlead plate is between winch and mount. You will use hardware provided with winch to install winch and fairlead.
7. Reinstall the bumper to the machine.
8. Wire winch to winch manufacturer's instructions.



FOR QUESTIONS OR COMMENTS PLEASE CALL: 320-964-1616 (7:00 to 4:30 CST Monday through Thursday).

INST1598PF