



Winch Mount Installation Instructions Honda Pioneer

PART# 4505-0688

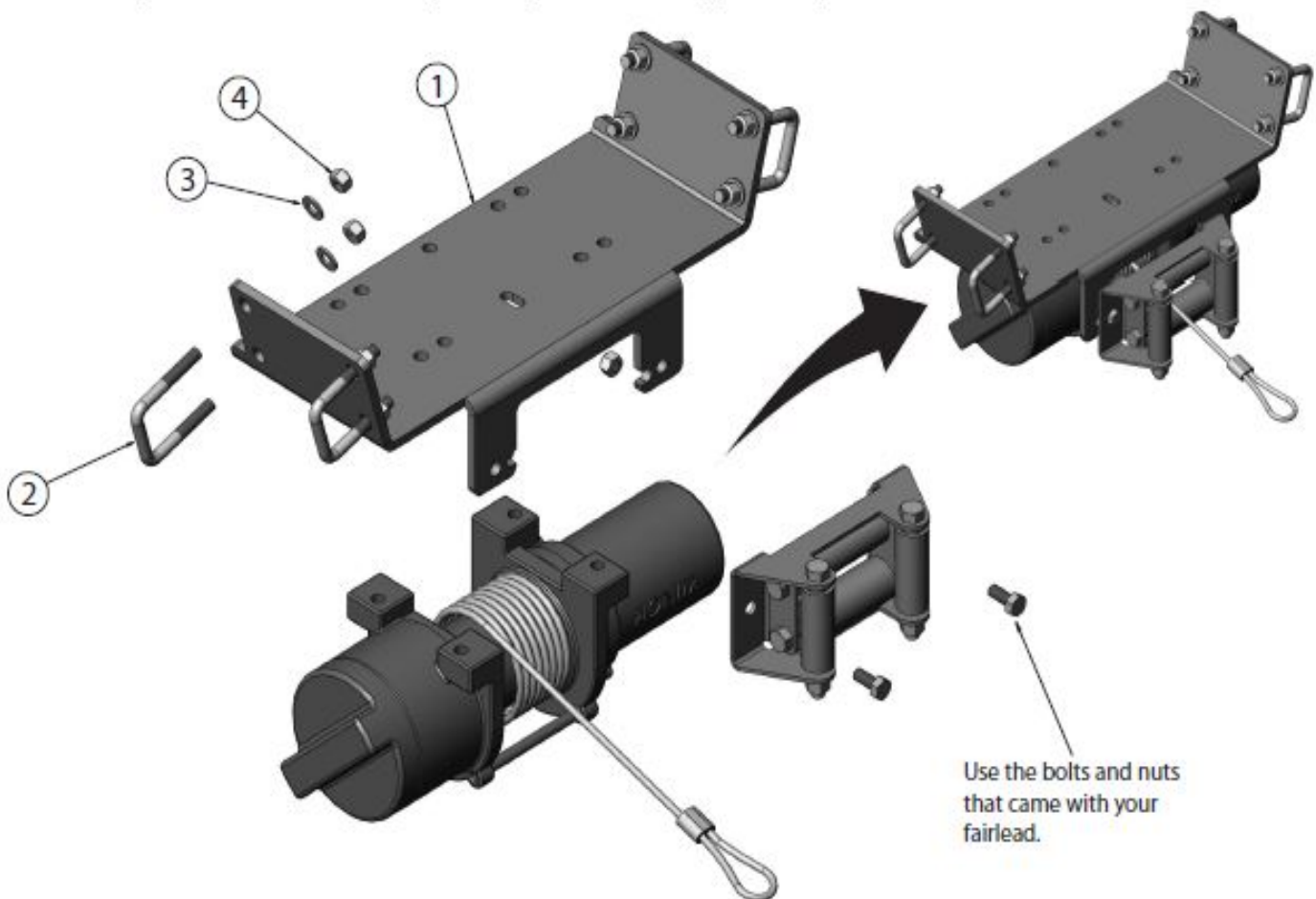
14-18 PIONEER 700 / 700-4 - - - 2017 PIONEER 700 Deluxe / 5

Ref.	Qty.	Part #	Description
1	1	1614-01	Winch Mount Plate
2	4	HDW2079	5/16" x 1-1/2" x 2-3/16" Sq. U-Bolts
3	8	HDW9002	5/16" Flat Washers
4	8	HDW7058	5/16" Nylock Nuts

NOTE: Roller fairlead not included with this kit!

INSTRUCTIONS:

1. Remove the steel front bumper assembly from the machine. Put the bumper on a workbench as you will be installing the winch to the inside of the bumper.
2. Slide the winch mount in place between the two main arms of the bumper. Make sure it is within 1" of the front of the bumper so the back of the mount does not interfere with re-installation of the bumper. The winch will hang upside down from the mount. Loosely install the mount to the bumper arms using four 5/16" u-bolts (#2), washers (#3), and nylock nuts (#4). Do not tighten yet.
3. There are multiple winch bolt patterns built into this mount to accommodate most winches. The winch will be placed on the mount upside down but with the cable still coming off the bottom of the drum. Using the bolts that came with your winch, loosely bolt the winch to the bottom of the mount plate.
4. Take the bumper and winch assembly and position it back into place on the machine. Tighten all the bolts for the bumper. Now slide the winch mount back until it butts up against the machine side bumper tubes. You can now tighten all the winch and winch mount hardware.
5. The winch mount has two sets of bolt holes to fit most roller fairleads or aluminum haswe's. Use whichever pattern lines up with your fairlead or hawse. Bolt in place using the hardware supplied with your fairlead.



FOR QUESTIONS OR COMMENTS PLEASE CALL: 320-964-1616 (7:00 to 4:30 CST Monday through Thursday).

INST1614PF