



WINCH MOUNT INSTALLATION INSTRUCTIONS

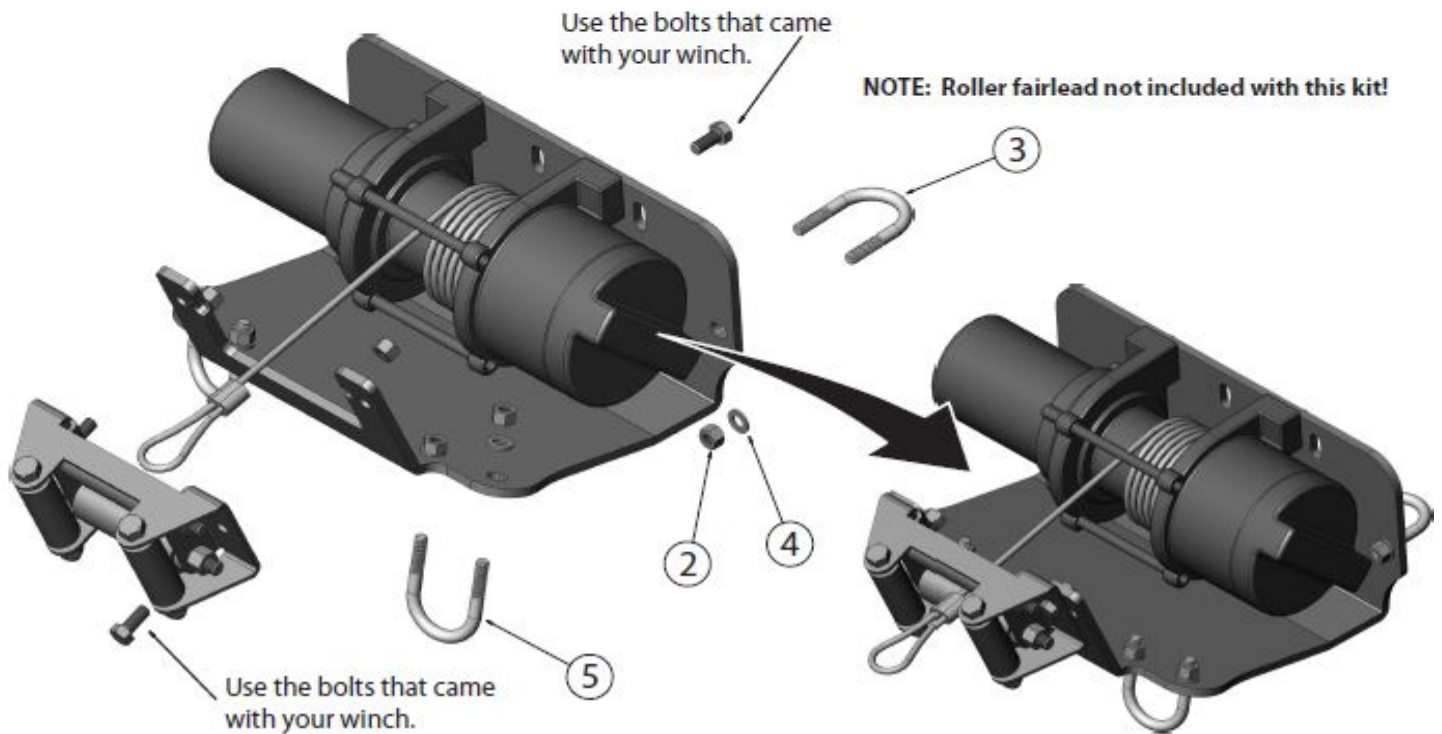
13-14 Can-Am Maverick 1000

PART# 4505-0695

ITEM	QTY.	PART#	DESCRIPTION
1	1	1621-01	Winch Mount Plate
2	8	HDW7058	5/16 Nylock Nut
3	2	HDW2154	5/16 x 1-1/4 x 2 Rd. U-Bolt
4	8	HDW9002	5/16 Flat Washer
5	2	HDW9205	5/16 x 1-1/2 x 2-3/16 Rd. U-Bolt

1. Remove the front bumper and two lower plastic covers. You may be able to just remove the upper bumper mounting bolts and swing the bumper down out of the way.
2. Depending upon the size/shape of your winch there are two ways to accomplish putting the winch and mount on the machine. One way is to start by first bolting the winch to the mount and then install the assembly onto the machine. The potential issue is access to tightening the nuts on the u-bolts if the winch is already installed to the mount. You may also run into the end of the u-bolts hitting the body of the winch. If so, the ends of the u-bolts need to be cut off after installing.

The other option is to first install the mount to the machine and then bolt the winch to the mount. However, it may be difficult to access the upper left side bolt that would install into the winch. Take a look at both ways and determine which way will be easier for you.
3. To attach the winch to the mount (whether before or after installing the mount to the machine), orientate the winch on it's side so the cable is still coming off the BOTTOM of the drum. Use the hardware that came with your winch to attach the winch to the mount. NOTE: You may need to cut or grind off the end of the mounting u-bolts so they do not hit the winch body.
4. Once the rear u-bolts (#3) of the mount and winch have both been installed on the machine you can re-install the front bumper. The front u-bolts (#5) can now be installed around the bumper tubes and into the winch mount. Secure with the nuts/washers.
5. This mount accept both sizes of roller fairleads, you will only use the one set of holes that match up with your roller fairlead. Install your roller fairlead using the hardware that came with your winch. Pull the cable through the fairlead and install the hook.



FOR QUESTIONS OR COMMENTS PLEASE CALL: 320-964-1616 (7:00 to 4:30 CST Monday through Thursday).