



ADAPTOR
KITS
4501-0858
4501-0857



ITEM	PART#	QTY.	DESCRIPTION
1	HDW9436	4	3/8 x 1-1/4 Carriage Bolt
2	HDW2102	1	3/8 x 1-1/4 Hex Bolt
3	HDW7061	5	3/8 Nylock Nut
4	HDW2323	2	3/8 Wire Loop Pin
5	KD175	1	Adaptor Bracket
6	KD176	1	Adaptor Bracket
7	KD177	1	Adaptor Bracket

Question or Comments Call 320-964-1616
7:00 to 4:30 CST Monday thru Thursday

There are the two conversion kits for mounting up an RM4 push tube kit to an RM5 mount plate.

KD150 is the kit for the ATV RM4 mounting.

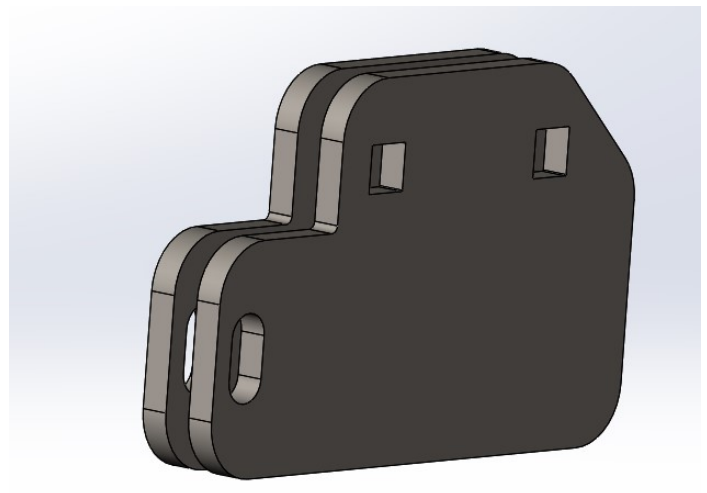
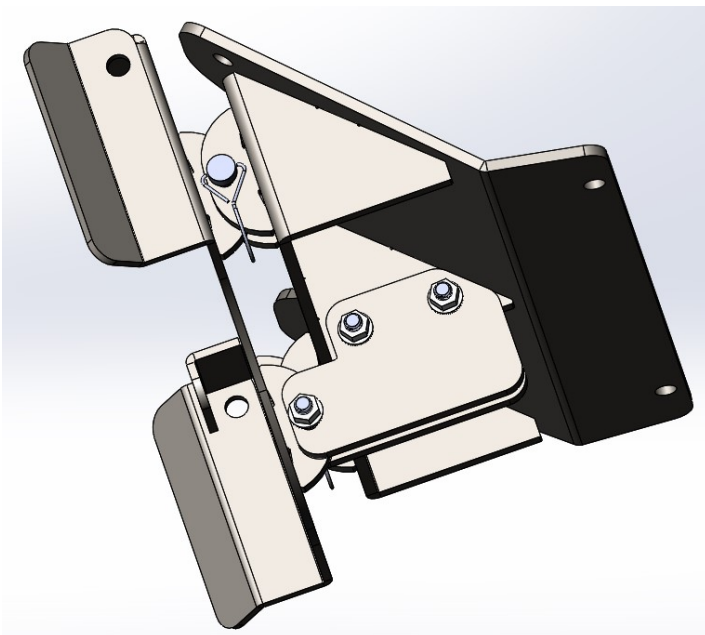
KD250 is the kit for the UTV RM4 mounting.

In each kit you will receive three additional mount brackets and these are used for helping you mount the conversion bracket to your specific mount plate. (NOTE: Each specific mount is not shown but this will give you the idea of how the brackets mount.

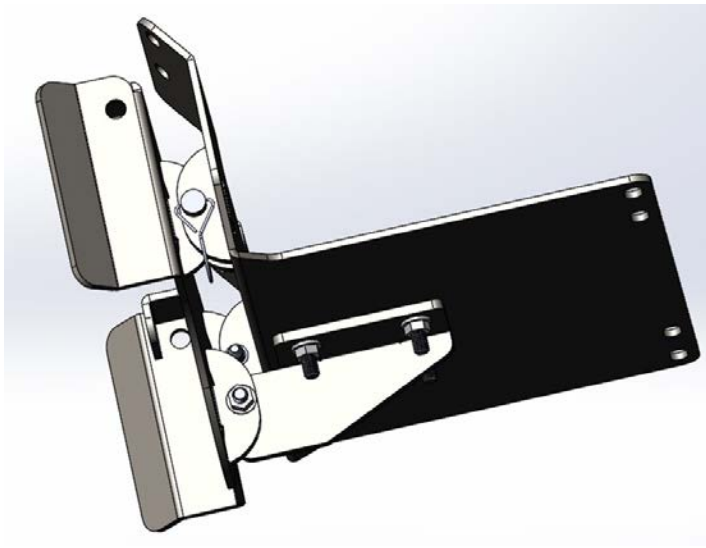
The mount brackets will bolt up to your specific machine RM5 mount with the 3/8 x 1-1/4 carriage bolts And nylock nuts as shown in illustration pictures.

When placing the conversion kit on you will use at the bottom tab the 3/8 x 1-1/4 hex bolt and nylock nut and the top tabs will get the 3/8 x 1-1/2 wire loop pins.

Once it is all mounted you can attach your RM4 push tube and be ready to use.

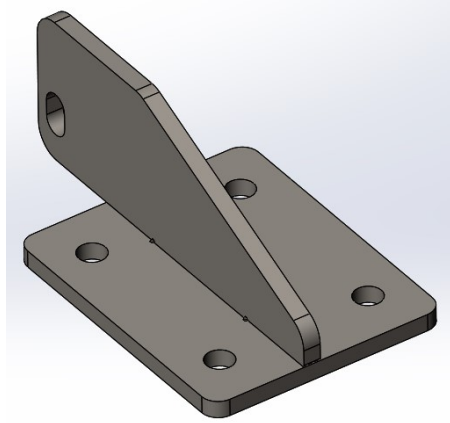


INSTKD150PF / INSTKD250PF

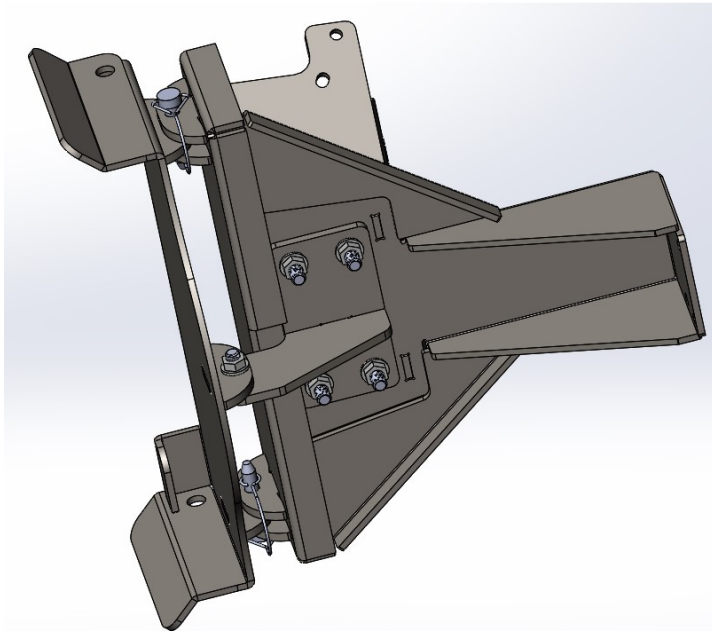


here is
KD176
bracket

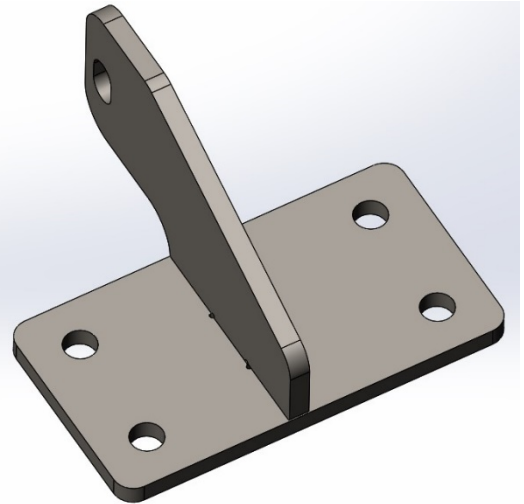
Shown here is the KD175 mount brackets



Shown
the
mount



Shown
here is
the
KD177
mount
bracket



PART#	MACHINE	ADAPTOR#	PART#	MACHINE	ADAPTOR#
4473PF	Kawasaki Mule Pro-MX	KD175	4584PF	Kawasaki Brute Force 750	KD177
4479PF	Polaris General	KD175	4585PF	Can-Am Outlander	KD175
4480PF	Polaris Ranger 500/570	KD175	4590PF	Honda Rancher420/Foreman	KD175
4482PF	Polaris Ranger 900	KD175	4594PF	Suzuki King Quad 500/750	KD175
4483PF	Can-Am Commander	KD175	4595PF	Polaris Sportsman 570	KD177
4485PF	Can-Am Defender	KD175	4598PF	Yamaha Kod. / Griz. 700	KD175
4489PF	Honda Pioneer 700	KD175	4599PF	Yamaha Kodiak 450	KD175
4490PF	Honda Pioneer 1000	KD175			
4491PF	Kawasaki Mule SX/XC	KD175			
4493PF	Kawasaki Teryx	KD176			
4495PF	Kawasaki Mule Pro-FX/FXT/FXR	KD175			
4496PF	Yamaha Viking	KD175			
4497PF	Yamaha Wolverine	KD175			
4498PF	Polaris Ranger 1000	KD175			