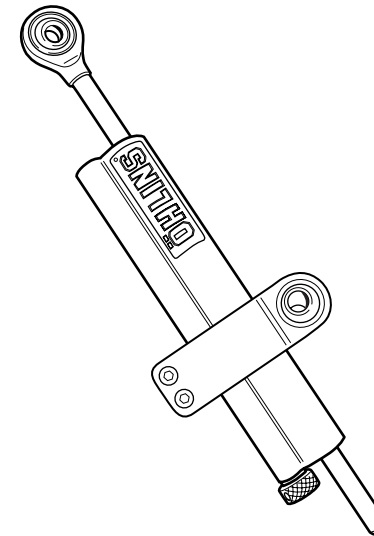


Mounting Instructions

WITH SET-UP DATA

ÖHLINS STEERING DAMPER KIT SD189 for Kawasaki ZX-6R



Before installing this shock absorber, check the contents of the kit listed below. If anything is missing, please contact your nearest Öhlins dealer.

Kit Contents:

	Part no.	Pcs.
Steering Damper	SD189	1
Bracket assy	02230-01	1
Screw M6SF 8x45	00432-05	1
Screw MC6S 6x35	01046-06	2
Sleeve 8/14/16	02238-04	1
Spacer	02259-01	1
Bracket, triple clamp	02270-33	1
Bracket, frame	02272-21	1
Screw K6S M8x20	05404-02	2
Öhlins Sticker yellow	00192-01	2
Öhlins Sticker blue	00194-10	2
Owner's Manual	07261-01	1

During storage and transportation, especially at high ambient temperature, some of the oil and grease used for assembling may leak and stain the packaging. This is in no way detrimental to the product, wipe off the excessive oil/grease with a cloth.

Before installing this product, read the Öhlins Owner's Manual!



Öhlins Racing AB, Box 722, S-194 27 Upplands Väsby, Sweden.
Phone +46 8 590 025 00 Fax +46 8 590 025 80
www.ohlins.com

© Öhlins Racing AB. All rights reserved. Any reprinting or unauthorized use without the written permission of Öhlins Racing AB is prohibited.
Printed in Sweden.



Mounting Instructions SD189_1 Issued 2008 01 02
These instructions and other documents can be downloaded from www.ohlins.com

HOW TO INSTALL

⚠ WARNING!

It is advisable to have an Öhlins dealer install the steering damper. Always consult your vehicle service manual when installing this product.

1

Put the motorcycle on a workstand so that the front wheel barely touches the ground.

⚠ WARNING!

Make sure the vehicle is securely supported so that it will not tip.

2

Loosen the front fuel tank attachment.

3

Install the frame bracket. Use the screws (01046-06) provided in this kit to reinstall the front fuel tank attachment, and install the bracket. Use the original washers.

4

Install the triple clamp bracket to the right side of the triple clamp. Use the sleeve and the screw (00432-05) provided in this kit.

5

Install the bracket assembly to the frame bracket. Use the teflon spacer and the screw (05404-02) provided in this kit.

6

Install the Öhlins steering damper to the bracket assembly. Do not tighten yet.

7

Install the steering damper end eye to the triple clamp bracket. Use the screw (05404-02) provided in this kit.

8

Adjust the steering damper by letting it slide into the bracket assembly so that the steering damper uses similar stroke lengths both ways.

NOTE!

Make sure that there is enough clearance when turning the steering damper to the left and right end positions, and that the damper is not used as a stop.

9

Tighten the screws to the correct torque:

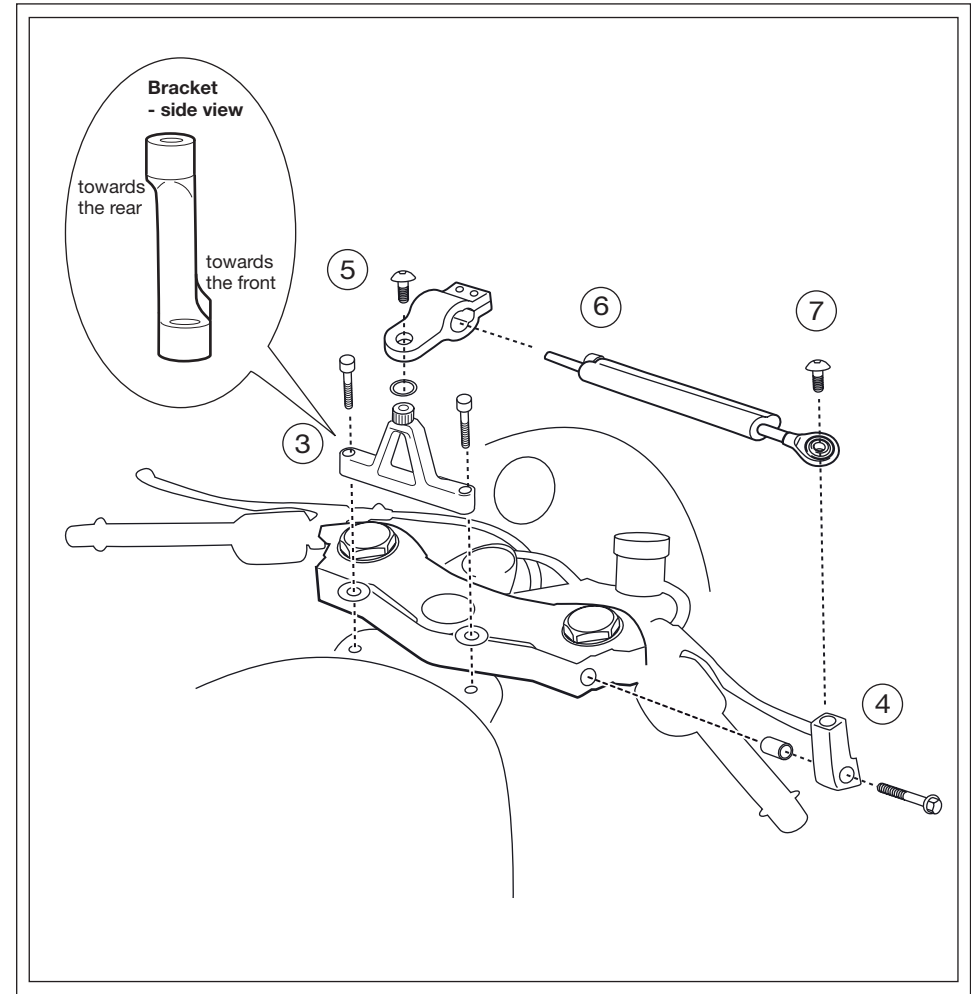
M5	5 Nm
M6	8 Nm
M8	25 Nm

10

Set the steering damper to the recommended click position.

⚠ WARNING!

Make sure that all screws are tightened to the correct torque and that nothing fouls or restricts movement of the shock absorber when the suspension is fully compressed or extended.



Set-up Data

Recommended set-up:
10 clicks from closed