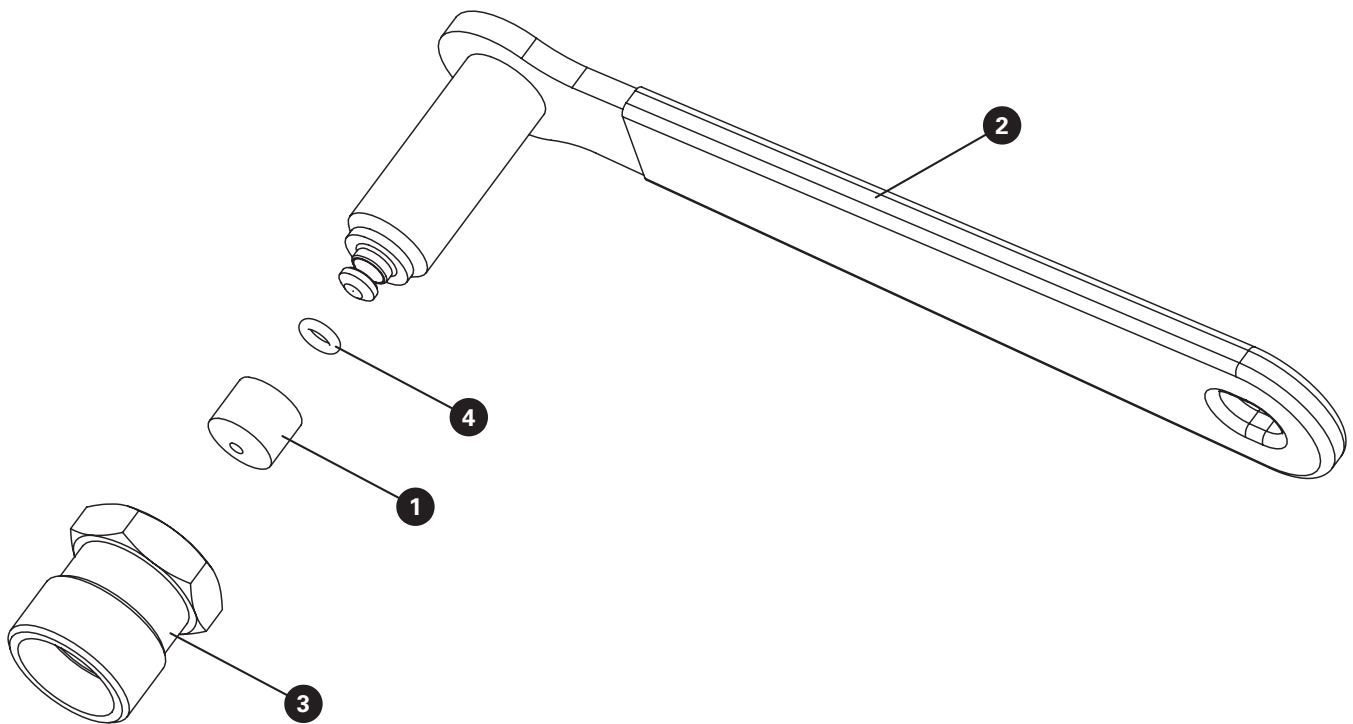


**PARK TOOL
PULLER FOR SQUARE TAPER CRANKS
CCP-22**



Ref. No.	Part No.	Description
1	1202	Swivel Foot
2	1204	Handle and Stud Weldment
3	1206	Hex Nut
4	1625-2	O-Ring