



SCALLOP CAM COVER

CONTRAST CUT

CHROME

BLACK OPS



PERFORMANCE MACHINE LIMITED WARRANTY INFORMATION

Performance Machine warrants to the original purchaser that the parts of this Scallop cam cover to be free of manufacturing defects in materials and workmanship for a period of one (1) year from the date of purchase. In the event warranty service is required, you must call Performance Machine immediately with a description of the problem.

If it is deemed necessary for Performance Machine to make an evaluation to determine whether the part is defective, a return authorization number will be given by Performance Machine. The parts must be packaged properly so as to not cause further damage and returned prepaid to Performance Machine with a copy of the original invoice of purchase and a detailed letter outlining the nature of the problem. If after the evaluation by Performance Machine the part was found to be defective it will be repaired or replaced at no cost to you. If we replace it, we may replace it with a reconditioned one of the same design.

Performance Machine shall not be held liable for any consequential or incidental damages resulting from the failure of a Performance Machine part.

Performance Machine shall have no obligation if a part becomes defective as a result of improper installation or abuse.

PM SCALLOP CAM COVER INSTALLATION

1. Turn your motorcycle off and disconnect the battery.
2. Place an oil pan underneath the cam cover area and remove the existing cam cover. (refer to the HD service manual if necessary). Removal of the exhaust system may be required on some models.
3. Once the existing cam cover is removed, clean all gasket/mounting surfaces and wipe out excess oil.
4. Using supplied gasket (3), install the PM Scallop Cam cover (2) and hand tighten bolts to hold it in place.
5. Torque the 1/4-20 x 1" bolts (1) to 105 in-lbs using the torque sequence shown in Fig A below.
6. Reconnect the battery and check the oil level. Add oil if necessary per the HD service manual.
7. Reinstall the exhaust system if necessary.
8. Go for a ride!

FIG A: BOLT TORQUE SEQUENCE

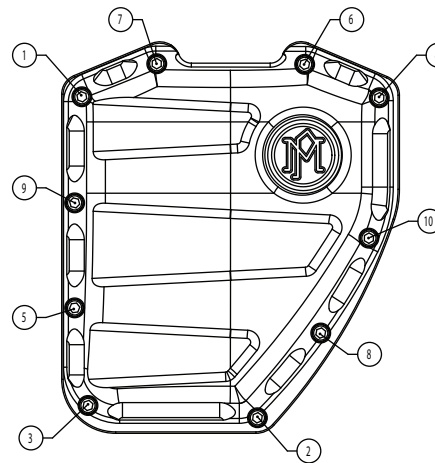


FIG B: COMPONENTS

