



VISION HEADLIGHTS



APEX
0207-2004APX



CLEAN
0207-2004CLE



CROSSBAR
0207-2004CBR



MERC
0207-2004MRC



GRILL
0207-2004GRL

PM VISION HEADLIGHT SERIES

Note: Use blue Loctite on all fasteners during assembly.

1. Turn off motorcycle and place securely on a lift or on the sidestand.
2. Disconnect the battery.
3. Drain the fuel from the fuel tank and remove the fuel tank.
4. Locate the headlight wiring harness and disconnect the electrical plug.
5. Once the wiring harness is disconnected remove the factory headlight.
6. Install the Performance Machine headlight onto the motorcycle using the supplied 3/8-16 X 1-3/4" button head cap screw (3), washer (4), and 3/8" nylock nut (6).
7. Remove the wire harness plug from the factory headlight by either de-pinning the connector or cutting the wires (special tool is required for de-pinning). Take note of the wire color location in the harness plug for use when reinstalling. Once the harness plug is removed, install it onto the new headlight harness by soldering the wires or installing the corresponding pins back into the harness plug using the diagram below.

Note: Install heat shrink tubing around the wires for protection.

HD HEADLIGHT HARNESS

WHITE: HIGH BEAM

YELLOW: LOW BEAM

BLACK: GROUND

PM HEADLIGHT

BLUE

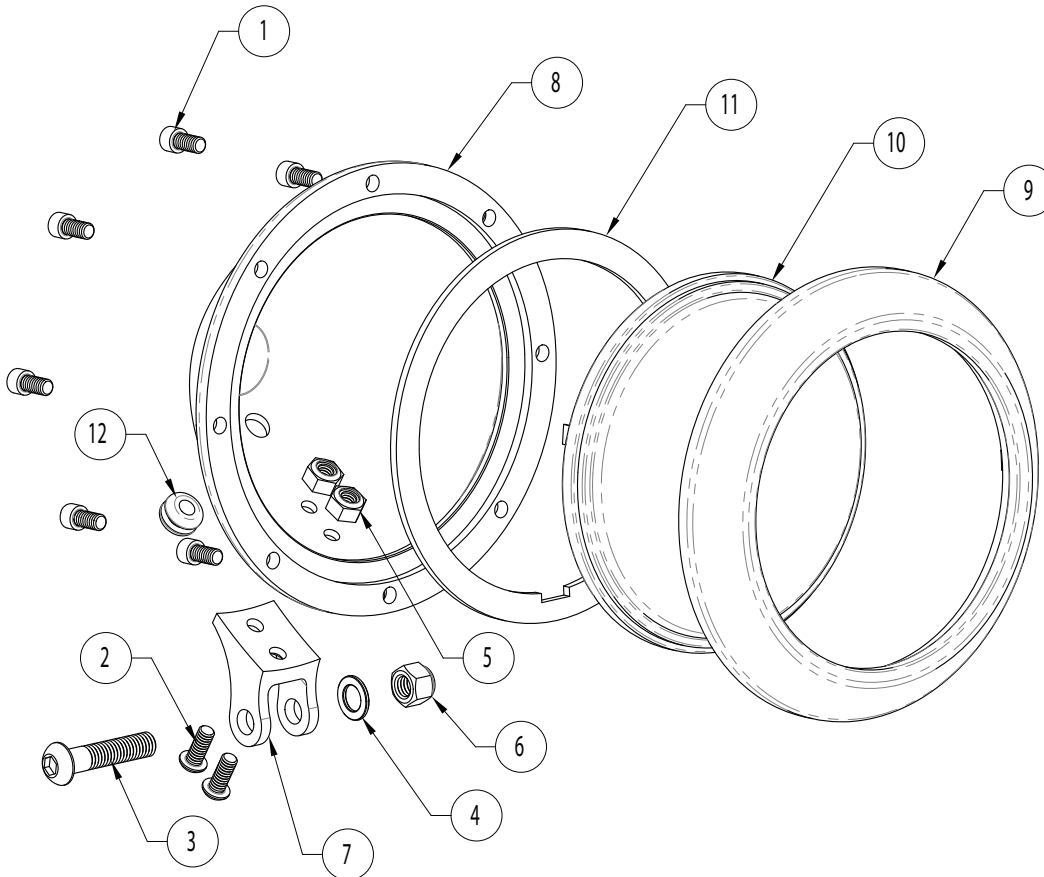
WHITE

GREEN

8. Reconnect the battery and test both the high and low beams.
9. Reinstall the fuel tank.
10. Place the motorcycle on flat ground and adjust the headlight angle using the following steps:
11. Place the motorcycle 25ft away facing a wall or garage door.
12. Measure from the center of the headlight to the ground using a tape measure.
13. Mark a line on the wall or garage door using masking tape at the same height as the headlight and place another piece of tape 2 inches below.
14. Mount the motorcycle and switch the headlight on. Adjust the headlight angle until the low beam's upper cutoff point rests on the lower tape line.
15. Because the high and low beams use the same reflector the angle is set and you are ready to ride.



VISION HEADLIGHT



ITEM NO.	DESCRIPTION	QTY.
1	SHCS 1/4-20 X .50	8
2	BHCS 1/4-20 X 5/8 SS	2
3	BHCS 3/8-16 X 1-3/4 CHROME	1
4	WASHER, .406 X .680 X .06	1
5	NUT 1/4-20 ELASTIC LOCK, ZINC PLATE	2
6	NUT 3/8-16 ELASTIC LOCK, CHROME	1
7	MOUNT, VISION HEADLIGHT	1
8	HEADLIGHT HOUSING	1
9	CLEAN BEZEL, VISION HEADLIGHT	1
10	5-3/4 HEADLAMP ASSEMBLY, JUTE A140-US	1
11	RUBBER GASKET, HEADLIGHT	1
12	GROMMET, 17/64 ID X 3/8 THK	1

PERFORMANCE MACHINE LIMITED WARRANTY INFORMATION

Performance Machine warrants to the original purchaser that the parts of this headlight assembly to be free of manufacturing defects in materials and workmanship for a period of one (1) year from the date of purchase. In the event warranty service is required, you must call Performance Machine immediately with a description of the problem.

If it is deemed necessary for Performance Machine to make an evaluation to determine whether the part is defective, a return authorization number will be given by Performance Machine. The parts must be packaged properly so as to not cause further damage and returned prepaid to Performance Machine with a copy of the original invoice of purchase and a detailed letter outlining the nature of the problem.

If after the evaluation by Performance Machine the part was found to be defective it will be repaired or replaced at no cost to you. If we replace it, we may replace it with a reconditioned one of the same design.

Performance Machine shall not be held liable for any consequential or incidental damages resulting from the failure of a Performance Machine part.

Performance Machine shall have no obligation if a part becomes defective as a result of improper installation or abuse.