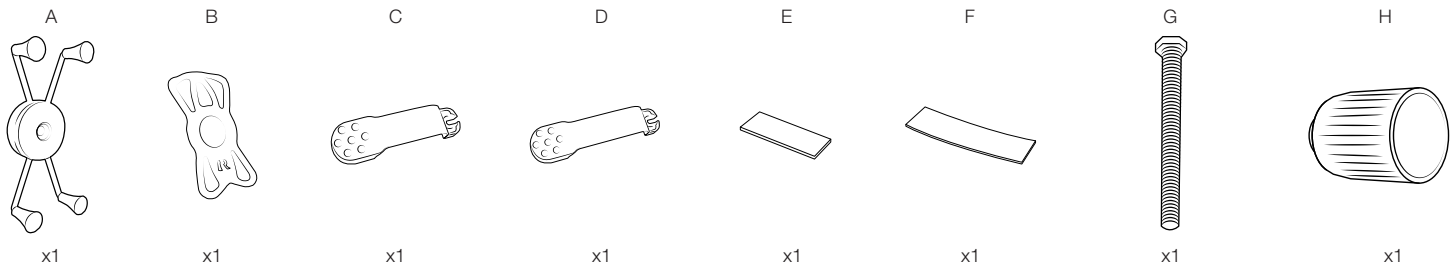


Part Index

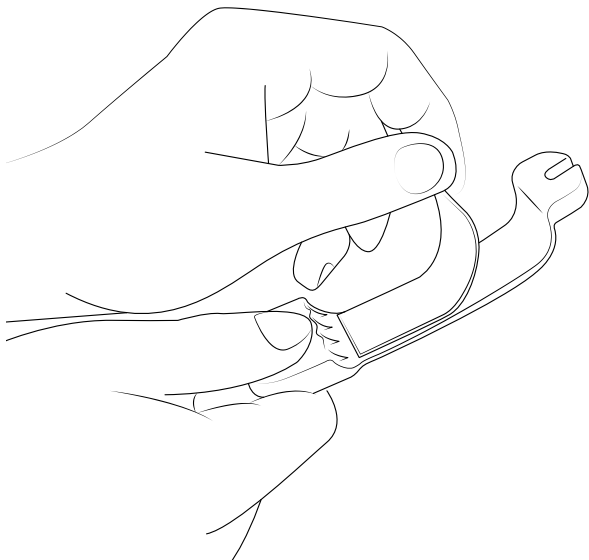
*not to scale



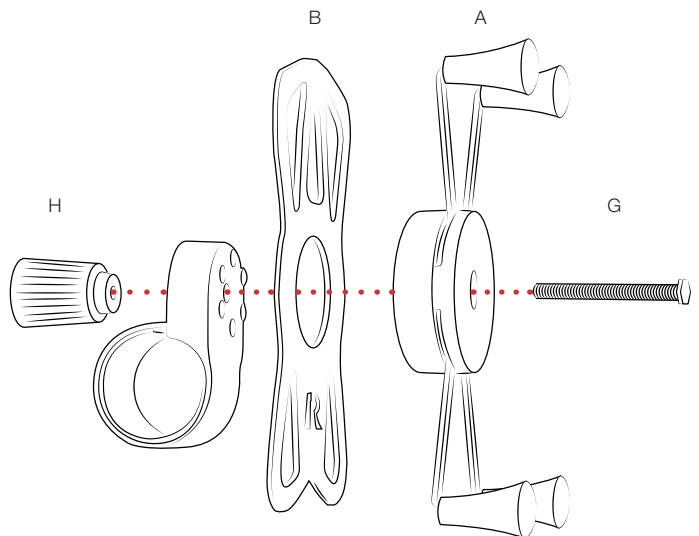
Select proper strap (C or D) and rubber strip (E or F) to fit the following rail diameters:

Diameter	Strap	Rubber Strip
0.875" - 1"	Short (C)	Short (E)
1" - 1.125"	Short (C)	Long (F) - Cut to Fit
1.125" - 1.25"	Long (D)	Short (E)
1.25" - 1.38"	Long (D)	Long (F)

1 Connect (E or F) Rubber Strip to (C or D) Strap. See the chart above to determine the correct sizes for your handlebar.



2 Connect remaining parts as outlined in the diagram below.



RPR-INS-460



Safety Precaution

Do not install this product near or over an airbag deployment area or in a location that obstructs the driver's vision or interferes with vehicle operation. National Products, Inc does not assume responsibility or liability for any such personal injury, death or property damage.