

# Saddlemen™

## INSTALLATION INSTRUCTIONS

www.saddlemen.com

### TEARDROP SPECIFIC-FIT SADDLEBAGS

3501-0461  
3501-0462



#### FEATURES OF THE SADDLEMEN SADDLEBAGS:

- Quality luggage system that adds style and function to your motorcycle
- Bag shape and mounts specially built to fit your motorcycle - rigid bag construction holds its shape even when empty
- All mounting hardware, turn signal relocation bracket and instructions are included
- Chromed metal supports fit behind each bag for extra strength and security, and are easily removed when bags are not in use
- Lockable, quick-release, hidden buckles under lid straps are easy to use, protect the contents and prevent unauthorized removal
- Can be upgraded to the QTL (Quarter Turn Locking) quick release mounting hardware for rapid removal
- Waterproof - cleans easily with a damp cloth

### ⚠ WARNING

#### READ THESE INSTRUCTIONS THOROUGHLY BEFORE INSTALLATION!

Because of the variety of motorcycle configurations, other accessories, and the features and intended use of this Saddlemen accessory, there are many different mounting options. You are responsible for the proper installation of this accessory on your motorcycle. Your attention to these installation instructions and recommendations will permit safe and proper use of this accessory. You must mount this accessory properly and securely before riding your motorcycle. If you lack the ability to safely and properly install this accessory, seek out a qualified motorcycle technician for assistance. During installation, support the motorcycle with a suitable stand or lift so it will not tip over and injure you, or damage the vehicle. Using or mounting this accessory improperly could result in a loss of control of the motorcycle which could result in damage to your motorcycle or other personal property, the property of third parties, and/or personal injury to yourself or others, up to and including death.

#### BE SURE TO THOROUGHLY READ AND CLOSELY FOLLOW THE MOUNTING INSTRUCTIONS THAT ARE INCLUDED WITH THIS ACCESSORY:

- The saddlebags must be installed and securely fastened onto the frame or similar foundation on the motorcycle.
- Install the saddlebags securely so they will not shift or move while riding. Make sure the mounting hardware will not contact the wheels, suspension or any other moving parts of the motorcycle.
- If you do not understand the mounting instructions DO NOT mount the saddlebags. Remove the base or any components you may have already installed on your motorcycle.
- Thoroughly inspect your motorcycle luggage before every ride. Do not use the saddlebags if the mounting system has been modified, has deteriorated, loosened or is beginning to fail.
- Before riding, secure your cargo inside the saddlebags and completely close the lids/flaps.
- Continually check the security of the saddlebags at each stop as you ride. Hardware can loosen during operation, so be sure to check it frequently.
- Do not use this accessory if you have any doubts as to whether it is properly mounted to your motorcycle.
- Do not exceed 10 pounds of total weight of the combined weight of the saddlebag and its contents.
- Do not transport or store flammable or potentially explosive materials in your saddlebags.
- When using this accessory, do not exceed your vehicle's Maximum Gross Vehicle Weight as listed on your motorcycle or in the manufacturer's owner's manual.
- If your saddlebags are ever damaged, do not use them until they have been inspected by your local professional motorcycle dealer. Replace the saddlebags immediately if they have damage that prevents them from being properly secured to your motorcycle or from securely holding their contents.

#### DO NOT ATTEMPT TO USE THIS ACCESSORY IF:

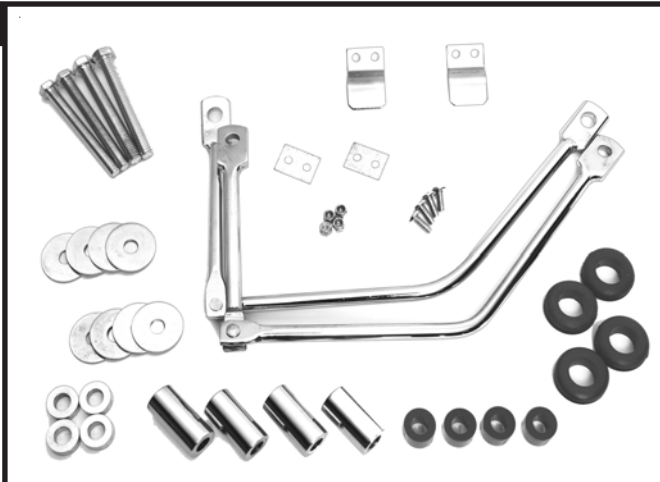
- You do not understand these installation and use instructions,
- You do not understand any part of the accessory mounting system,
- You have any doubts as to the security of the mounting system.

If you have any concerns or questions, seek help at your qualified motorcycle dealer or call the Saddlemen support line at (310) 638-1222.

Remember: Motorcycling can be a dangerous activity. Installation of any accessory can increase your risk if it is not installed properly. You are responsible to install this accessory so it will not contact any portion of the drive train, suspension or steering, and so it will in no way interfere with the operation of your motorcycle.

#### PARTS INCLUDED WITH THE SADDLEBAGS:

Part	Qty.
Saddlebags (not shown) .....	2
Saddlebag supports .....	2
Rubber grommets .....	4
Spacer, plastic .....	4
Spacer, metal (short) .....	4
Spacer, metal (long) .....	4
Bolts, 5/16 x 3.5" .....	4
Washers, 1.25" diameter - 9mm ID .....	8
Support bracket hooks .....	2
Support bracket backing plates .....	2
3/16 x 1/2" Phillips-head screws .....	4
3/16" lock nuts .....	4
Keys for quick-release buckles (not shown) .....	2
Instruction set (not shown) .....	1
Turn signal relocation components .....	see next page



The vehicle images in this instruction set may be different than your motorcycle.

Continued on next page...



## NOTES ABOUT TURN SIGNAL RELOCATION:

Relocation of the rear turn signals on your Harley-Davidson motorcycle may be necessary. If it is necessary to move the rear turn signals, your Saddlemen saddlebag mounting kit includes Turn Signal Relocation Brackets and wires to relocate the turn signals to the back end of the fender struts. Before beginning accessory installation, measure and decide exactly how you are going to mount your saddlebags, and if the turn signals require relocation. If the saddlebags can be mounted to your motorcycle without interference or obstruction of the turn signals, do not relocate the signals and you can discard the included relocation components.

### Situations that require turn signal relocation:

1. Some motorcycles (such as Harley-Davidson Sportster, Softtail, and Dyna models) may require signal relocation in order to use both holes in each fender strut and sub-frame to mount the saddlebag's support brackets.
2. Some motorcycles do not have adequate clearance between the turn signal and the shock absorbers, or passenger foot pegs, to properly install the saddlebags without interference.

If either situation applies to your motorcycle, follow the instructions to install the relocation components included with your saddlebag set.

## TURN SIGNAL RELOCATION COMPONENTS:

Part	Qty.
Bracket outer plate (metal - thick) .....	2
Bracket center plate (plastic) .....	2
Bracket outer plate (metal - thin) .....	2
Bolt, turn signal (5/16 - 18 x 3") .....	2
Bolt, turn signal (optional, short) .....	2
Wire (14 gauge - black) .....	1
Wire (14 gauge - green) .....	1
Wire butt connectors .....	8

### NOTE:

The relocation brackets are designed to function with your motorcycle's original turn signals. If your motorcycle is equipped with aftermarket turn signals, you will need to check to see if they will securely mount to the brackets. If not, it is suggested you reinstall the original turn signals on your motorcycle.



## INSTALLATION INSTRUCTIONS:

Before mounting your Saddlemen Teardrop Specific-Fit Saddlebags, you must first relocate the turn signals.

Disconnect the battery's negative cable and then remove the tail light lens ①. Locate the wires from the turn signals in the tail light housing and disconnect the turn signal's connectors ② from the terminal.

### NOTE:

You can use blue painter's tape to protect painted and chromed items on your motorcycle during accessory installation.

Use care when pushing or pulling turn signal wires through the fender or fender struts. You can use soapy water to lubricate the wires to prevent chafing of the insulation.

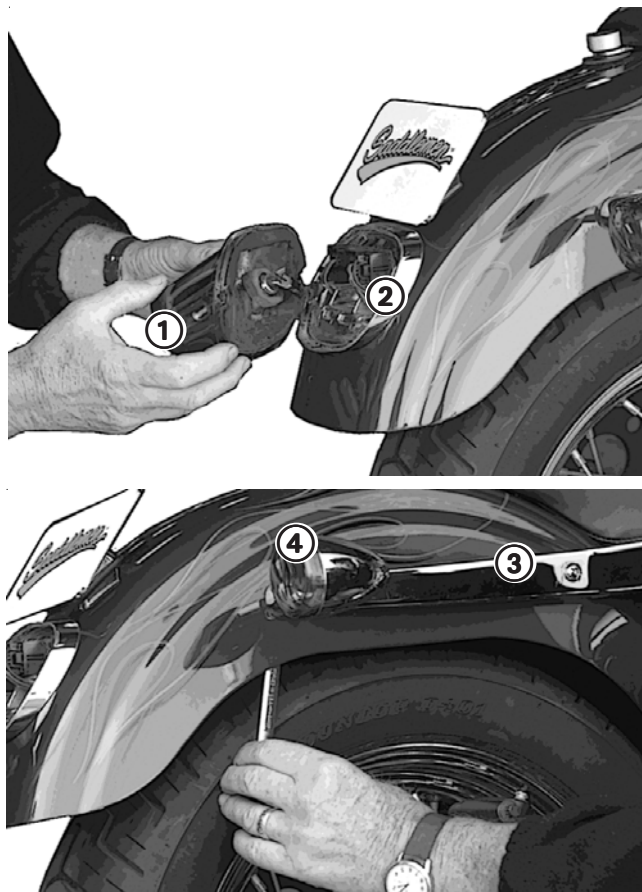
Note the color codes and the routing of the wires so you can reconnect and route the wires properly after relocating the turn signals.

Carefully push the disconnected turn signal's wires down through the holes in the fender. As you do this, free the wires from any clips or cable ties. Remove the bolts securing the turn signals to the fender strut ③ and carefully remove the turn signals ④ (the fender strut is the component of your motorcycle that attaches the rear fender to the frame).

Because of the relocation, the turn signal's wires will need to be extended in length. Wires and butt-connectors are supplied with the relocation brackets to lengthen the turn signal's wires.

### SEE NEXT PAGE:

Measure and cut each turn signal's wires 1½" from the base of the turn signal. Strip 3/8" of insulation from the ends of each cut turn signal wire, and from each end of supplied extension wires.



The vehicle images in this instruction set may be different than your motorcycle.

Continued on next page...





## INSTALLATION INSTRUCTIONS (continued):

Using a quality electrical connector crimping tool, and the butt connectors (5), connect the extension wires to the end of wires coming out of the turn signals. Connect the green extension wires to the turn signal wire with the white stripe (6). Connect the black extension wires to the solid color turn signals wires. Do not connect the cut off portions of the original turn signal wires to the extension wires at this time, because you must route the wires through turn signal relocation brackets and the fender struts first.

The designers at Saddlemen have developed the multi-plate Turn Signal Relocation Brackets for strength, durability from vibration, and appearance, as the turn signal wires as they are routed inside of the bracket. You will need to assemble the brackets before attaching the turn signals to them. The complete bracket consists a thick metal inner plate, a black plastic center plate, and a thin outer metal plate (see the image to the left of this page).

Remove the protective paper covering the plate's adhesive tape from one side of the black plastic plate, align and press it to the thick, metal plate, with the tang away from the black, plastic plate.

### NOTE:

The tang (7) on the thick, outer metal plate fixes the bracket to the turn signal wire hole in the fender stay. This tang prevents the relocation bracket from rotating on the single saddlebag support mounting bolt.

Route the wires from the turn signal through the oval hole at the small end of the thin center plate, with the polished side toward the turn signal, and then out through the last hole in the opposite side (with the tang). Neatly arrange the wires in the center groove of the plate and then remove the protective paper from the center plate. Align the two assembled plates with the final, thin metal plate and press the plates together.

Hand tighten the supplied turn signal bolt (8) so it firmly attaches to the assembled bracket.

### NOTE:

Most Harley-Davidson turn signals require a 3" long mounting bolt as the signal's stalk is a separate part, and the longer bolt holds the stalk to the signal lamp as an assembly. Use the shorter, supplied bolt if the stalk is part of the turn signal lamp.

At this point, you should have one assembled relocation bracket with a turn signal mounted, with wires ready to install back onto the motorcycle. Repeat the wire extension procedure and the relocation bracket assembly for the other turn signal.

Route both turn signal's wires through the wire holes (9) in the fender stay. Because of the size of the hole, you may need to push one butt connector and wire through at a time.

Once the wires are through, use your electrical crimping tool to connect the original wires to the butt connectors, following the same connection color codes as before (black extension wire to the motorcycle's solid color wire; green extension wire to the motorcycle's striped wire). The wires and the butt connectors for the wire extensions will permit the bracket and the turn signal to hang (10) from the fender stay.

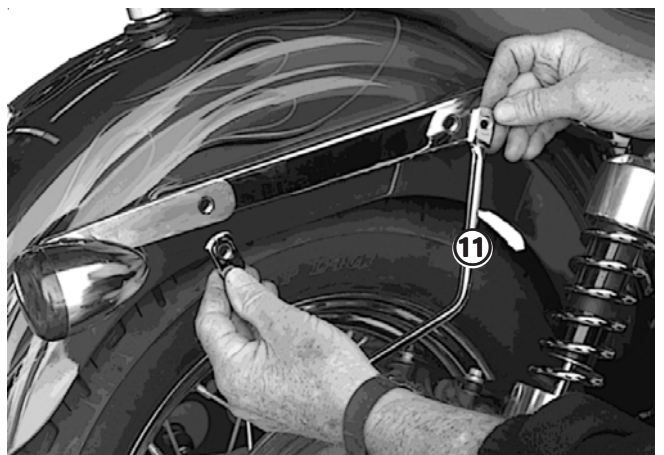
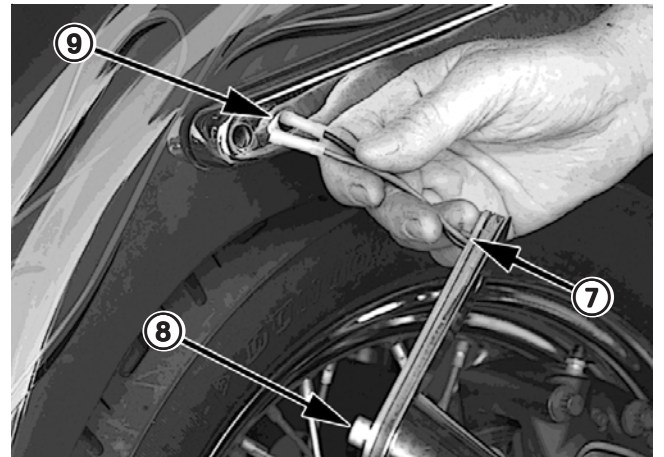
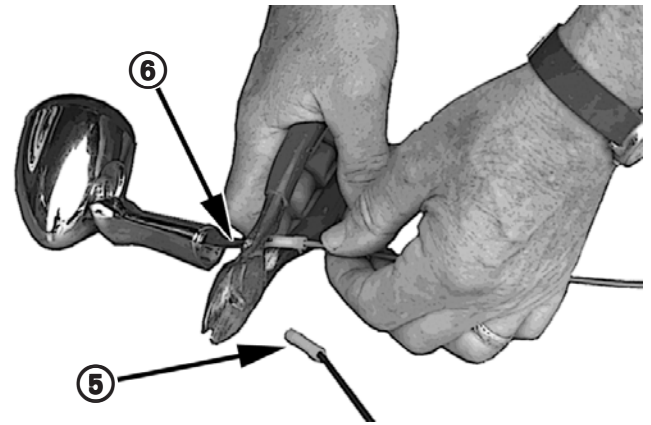
Saddlemen Teardrop Specific-Fit Saddlebags mount to the fender struts of your motorcycle using the supplied saddlebag supports (11) and mounting hardware.

### IMPORTANT:

For your safety, and the protection of your motorcycle and saddlebags, it is essential that you install the saddlebag supports properly. Both supplied supports must be installed in a way that prevents the saddlebags from interfering with any part of the motorcycle's operation, including the turn signals, tail or brake lights, exhaust system, suspension, or drive train. You (or your professional motorcycle technician) will need to determine the best mounting configuration for your motorcycle.

### TIP:

To simplify the mounting of the saddlebags, Saddlemen recommends you work on one side of your motorcycle at a time, completing the full installation on the first side before beginning the second side. This will help you maintain fender and saddlebag alignment and make it easier to install the fender strut bolts and other mounting hardware that is exchanged during the installation.



The vehicle images in this instruction set may be different than your motorcycle.

Continued on next page...

## INSTALLATION INSTRUCTIONS (continued):

The saddlebag supports are hinged (12) so they can adjust to any variance in your motorcycle's fender strut bolt locations. The supports have a one-inch offset (13) that angles the supports outward so they space the bags away from the motorcycle's chassis components, wheels, brakes, and moving parts. Before removing or changing any hardware, hold the supports next to the motorcycle to familiarize yourself with how they will be installed.

Remove the original front fender mounting bolt from one side of the fender strut and temporarily mount one support with the supplied mounting bolt, a plastic spacer, a short steel spacer, a long steel spacer, and two washers into the front fender stay bolt hole. Insert another mounting bolt through a plastic spacer, a long steel spacer, two washers, and the assembled turn signal relocation bracket into the rear fender stay bolt hole.

### IMPORTANT:

Make sure the spacing and clearance of the support is proper in relation to the motorcycle. Verify that each mounting bolt is the proper length. When installing a bolt into the fender strut, check to be sure that it does not extend inside the fender further than the original fasteners. If it does, the excess length of the bolt must be cut off, or exchanged for a shorter bolt you obtain from the hardware store or a motorcycle shop.

After verifying the mounting bolts are the proper length, remove the support and the hardware from the motorcycle's fender strut.

Install a grommet in each of the large holes (14) on the back side of each saddlebag. Then insert a plastic spacer (15) in each of the grommets

### TIP:

Lubricate the grommets with soapy water to help them slip into the holes in the bag.

Lay a support (16) on the back of a bag with the joint positioned towards the rear of the bag. Temporarily put the mounting bolts (17) through the support's holes and into the plastic spacers in the grommets.

Place one of the support clips (18) over the center of the lower portion of the support, so the two holes in the clip align with the predrilled holes in the bag.

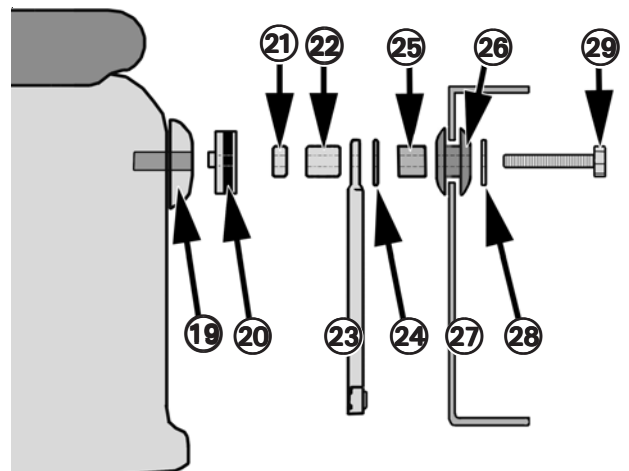
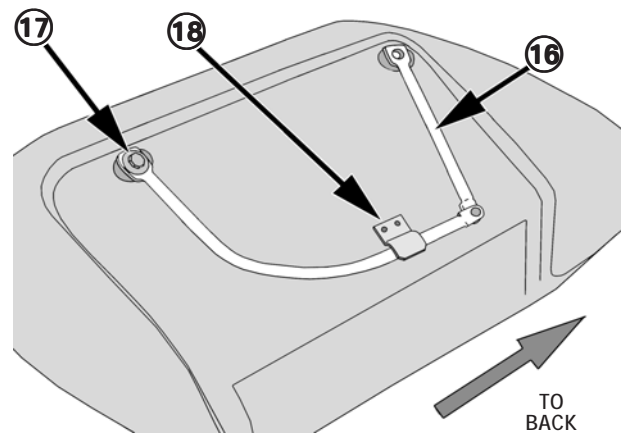
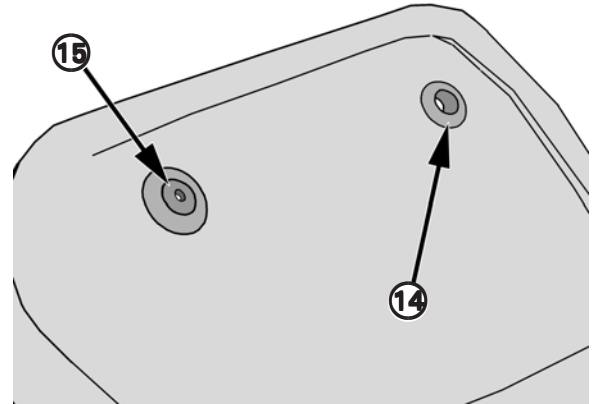
Use the 3/16" screws and nuts from the hardware kit to attach the support clip to the backup plate inside the bag. Place the nuts on the outside of the bag. Do not over-tighten the hardware, as this may cause damage to the saddlebag. Remove the mounting bolts from the support and the plastic spacers.

Install the saddlebag with the mounting hardware in this order:

- 19 Motorcycle's fender stay (mounted to rear fender & frame)
- 20 Turn signal relocation bracket (rear fender strut hole, tab locates to wire hole)
- 21 Steel spacer (short as required, front fender strut hole)
- 22 Steel spacer (long, both fender strut holes)
- 23 Support
- 24 Washer
- 25 Plastic spacer (goes inside of rubber grommet)
- 26 Rubber grommet (inserted into the saddlebag)
- 27 Saddlebag
- 28 Washer
- 29 Mounting bolt

### NOTE:

Be sure to tighten the mounting bolts securely. After tightening the mounting bolts, tighten the turn signal mounting bolts on the relocation brackets.



The vehicle images in this instruction set may be different than your motorcycle.

Continued on next page...

INSTALLATION INSTRUCTIONS (continued):

**IMPORTANT REMINDER:**

When installing a bolt through the saddlebag, supports and fender, check to be sure that it does not extend inside the fender further than the original fastener. If the bolt is too long, it must be cut off or exchanged for a shorter bolt you obtain from a hardware store or motorcycle shop.

Repeat the same steps for the other saddlebag 30.

Check and adjust the alignment, and tighten all of the bolts securely. Use a thread locking agent (such as Loctite™) on the support mounting hardware during final assembly.

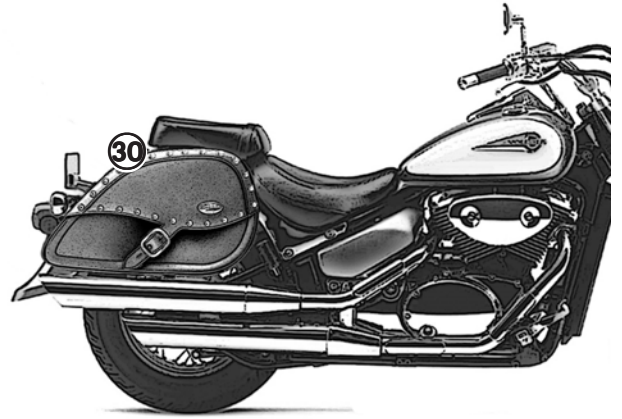
**NOTE:**

Review and follow the NOTES and IMPORTANT comments in this instruction sheet, especially checking for support and saddlebag clearance, as the motorcycle's suspension moves through its entire range of motion.

Connect the turn signal wires to the terminals inside the tail light assembly. Reconnect the battery and test the turn signal, tail light and brake light function. Once you have verified that the lights function properly, replace the tail light lens 31.

**NOTE:**

When installing the tail light lens, make sure you fit the lens gasket properly into the housing. If you do not seat the gasket properly, water could enter the tail light assembly causing corrosion that can affect the operation of the tail light or turn signals.

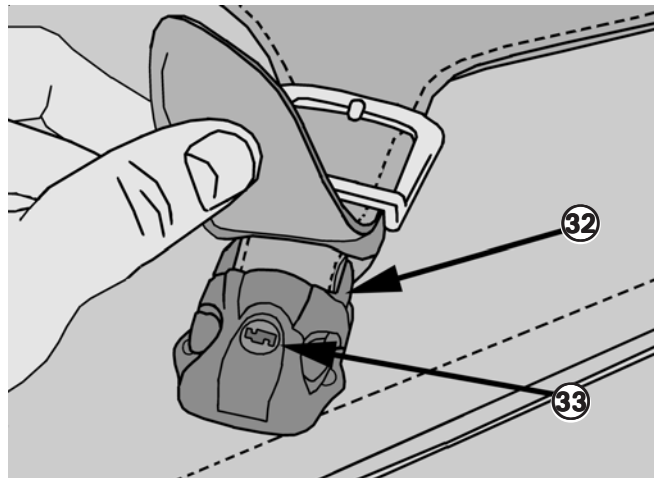


**QUICK-RELEASE & LOCKING BUCKLES:**

Saddlemen Teardrop Specific-Fit Saddlebags feature quick-release buckles 32 under the lid strap's "conventional" buckles. This permits quick access to the inside of the bag. To aid in securing your belongings inside the bag, each quick-release buckle has a lock 33 that can be locked using the keys included with your saddlebag set.

**TIP:**

Keep one of your saddlebag keys in a safe place, like your motorcycle's tool kit, in case you misplace the other key.



**OPTIONAL QUICK DISCONNECT DOCKING POST KIT:**

for Harley-Davidson Sportster and similar models (Saddlemen #3501-0339): You can add the ability to remove and reinstall the saddlebags on your motorcycle in seconds, with the Quick Disconnect Docking Post Kit 34.

The kit has docking posts and fasteners that replace the fender mounting bolts and plastic spacers to allow you to install and remove your saddlebags with a quick twist of the QTL (Quarter Turn Locking) fasteners. Each kit has four docking posts along with the required fasteners, spacers, grommets, support clips, nuts, bolts and detailed instructions.



The vehicle images in this instruction set may be different than your motorcycle.

Continued on next page...





## IMPORTANT:

Failure to install this accessory properly may allow portions of the saddlebags or their mounting materials to contact the vehicle's moving parts. It is vital that you verify that the accessory and/or any of its parts will not touch, or interfere with other components while the suspension moves through its entire range of motion.

Make sure that neither saddlebag or the mounting hardware touches the exhaust or any other non-moving components, as they might be damaged from contact with the accessory.

Occasionally, the configuration of this accessory with certain motorcycles may require relocation and/or adjustment of certain components on these vehicles. Check to be sure that all lights and safety reflectors are visible once the saddlebags are in place. If the saddlebag mounting hardware blocks or interferes with the turn signals, you will need to move the turn signals to a solid mounting point that permits their proper electrical function. If the saddlebags or mounting hardware blocks any side reflectors, place reflectors on the exterior sides of the saddlebags. Reflectors with self-adhesive backing are available from motorcycle or automobile supply stores. It is your responsibility to make sure that the installation of this accessory does not create an unsafe or illegal condition.

After 50 miles (80 kilometers), recheck all of the mounting hardware and the saddlebags to make sure they are still tight and secure. Inspect the saddlebags and related hardware before, and during, each ride. A loose saddlebag or hardware can interfere with the vehicle's operation and can cause an unsafe riding condition.



### CARE OF YOUR SADDLEMEN SADDLEBAGS:

Your Saddlemen Saddlebags require almost no maintenance, other than periodic cleaning.

Use Saddlemen Seat & Saddlebag Ultra Wash (#3101) for the best results while cleaning fabric covered saddlebags, or use mild soap and water. Use Saddlemen Seat & Saddlebag Conditioner (#3102) for the best results while cleaning vinyl covered saddlebags.

Protect the finish and enhance the appearance of your fabric or vinyl saddlebags with Saddlemen's Seat & Saddlebag Fabric Conditioner (#3103).



## SADDLEMEN LIMITED ONE-YEAR WARRANTY

Saddlemen warrants its products for defects in materials, design or workmanship for a period of one year after retail purchase. Items that are defective will be repaired or replaced by Saddlemen at its sole discretion. Damage caused by improper use or improper installation is not a defect; therefore repair or replacement of a damaged accessory will not be covered under this warranty. This warranty contains other provisions and conditions, so please visit [www.saddlemen.com](http://www.saddlemen.com) for additional information. Thank you for purchasing your new Saddlemen Saddlebags. You can count on Saddlemen's quality, innovation, service and style. We want you to be completely satisfied. If you have any comments, or are not satisfied with the performance of your Saddlemen accessory, please contact the Saddlemen support line at (310) 638-1222.

