

Installation Manual Polaris General Dump Bed Rack

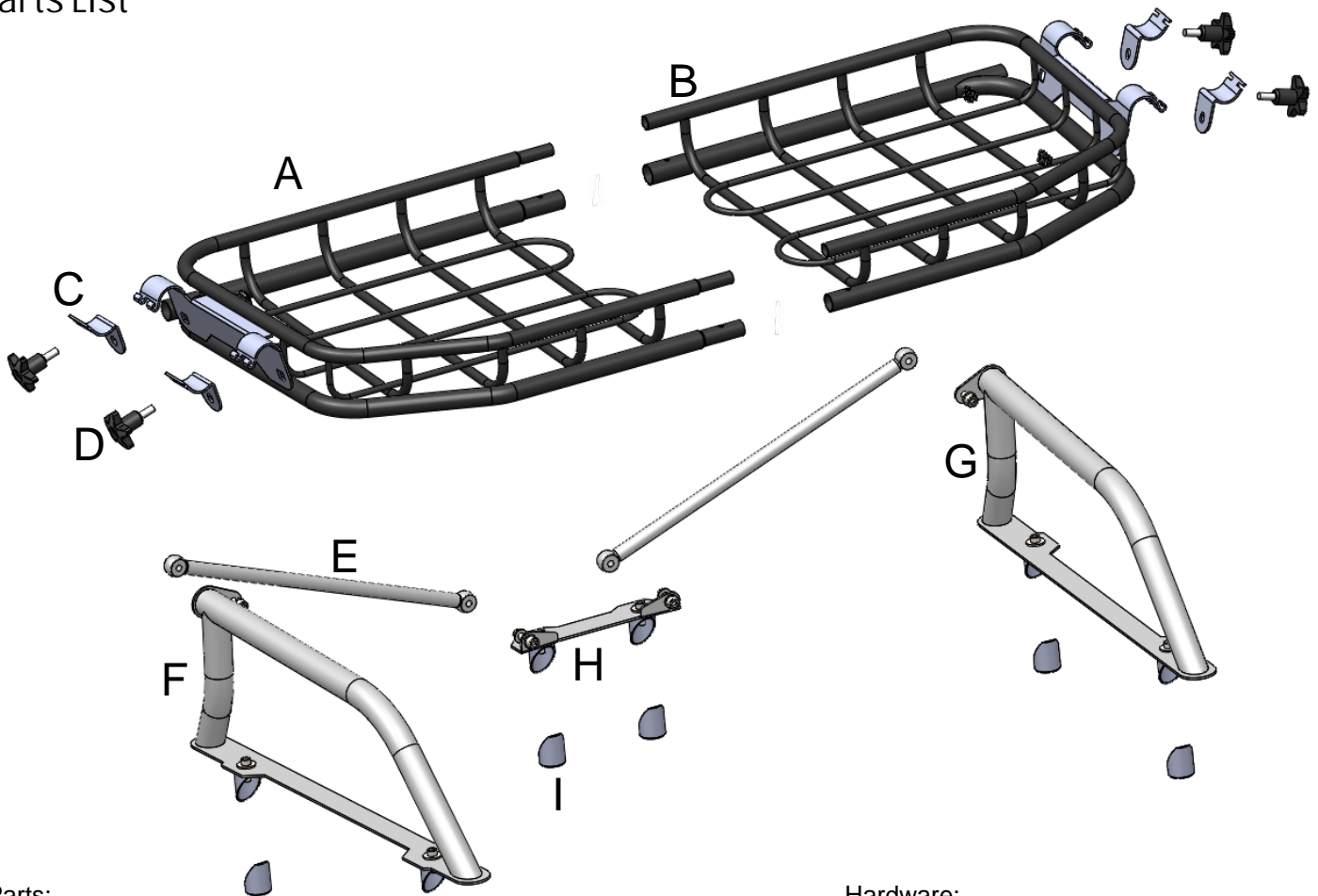


Seizmik makes Windshields, Doors, Tops, Hood Racks, Mirrors, Light bars and other great accessories for utility vehicles & side x sides. Our products are engineered tough for long life and tested under the harshest of conditions.

Always observe the warnings and precautions in this manual when using your Seizmik products. For best results, carefully follow the instructions in this manual and make no modifications.

Seizmik products are designed, developed and manufactured by Vialink Corp. If you have any questions, comments, need assistance, or are missing parts, please call 1-866-838-3366 between 9:00AM and 5:00PM EST. You can email us at service@seizmik.com

Parts List



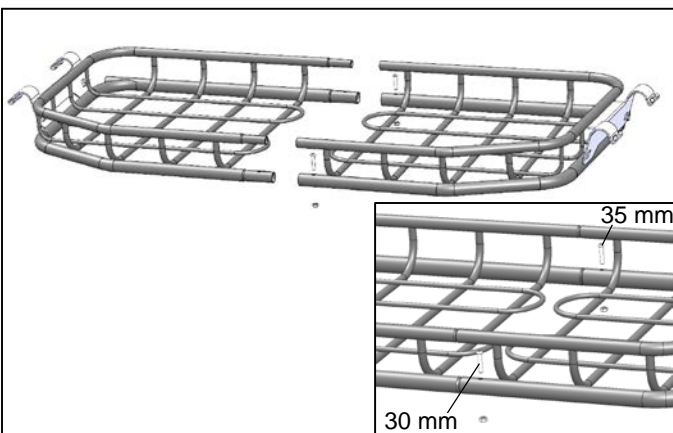
Parts:

- A. Left Side Basket (1)
- B. Right Side Basket (1)
- C. Quarter Clamp (4)
- D. Star Bolt (4)
- E. Support Rods (2)
- F. Driver's Side Basket Support (1)
- G. Passenger's Side Basket Support (1)
- H. Center Basket Support (1)
- I. Wedge Nuts (6)

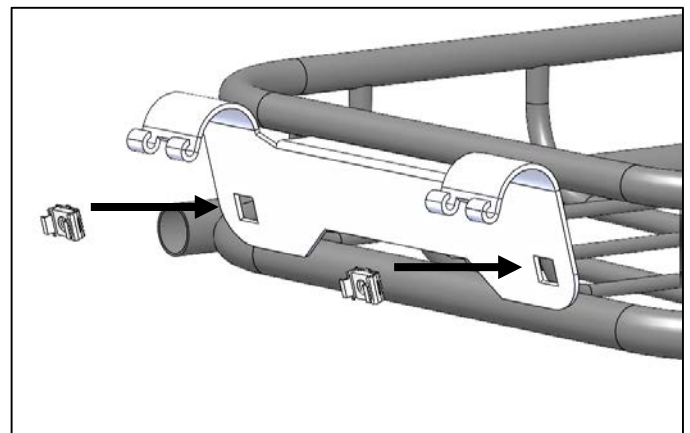
Hardware:

- (1) M6 30mm Button Head Bolt
- (1) M6 35mm Button Head Bolt
- (2) M6 Lock Nuts
- (4) M8 35mm Hex Head Bolts
- (6) M8 60mm Socket Head Bolts
- (4) M8 Locknuts
- (14) M8 Washers
- (4) Clip on nuts

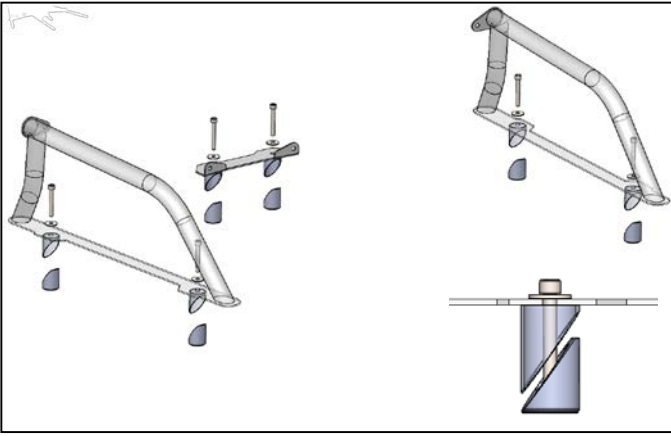
Installation



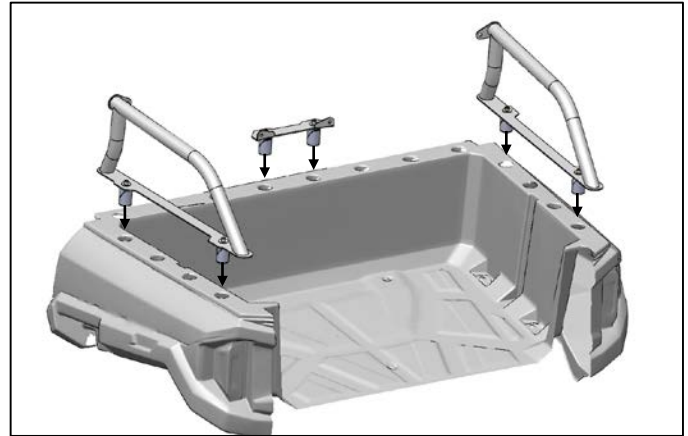
1. Assemble the two sides of the basket by first pushing the left side of the basket into the right side of the basket. Secure with a M6 x 30mm and M6 x 35mm button head bolts and M6 locknuts. The longer bolt goes in the back of the basket.



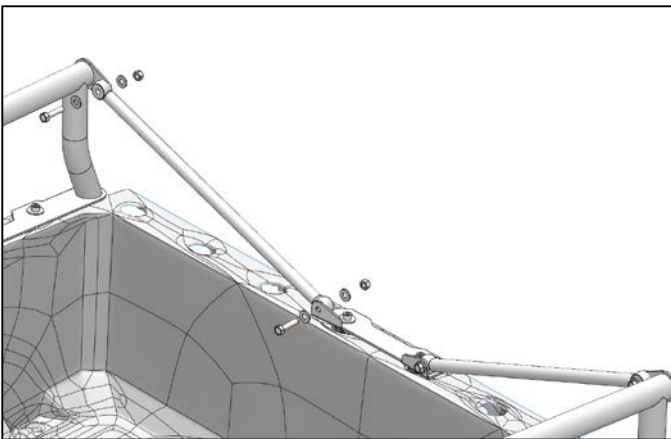
2. Insert the (4) Clip on nuts into the four holes on either side of the basket.



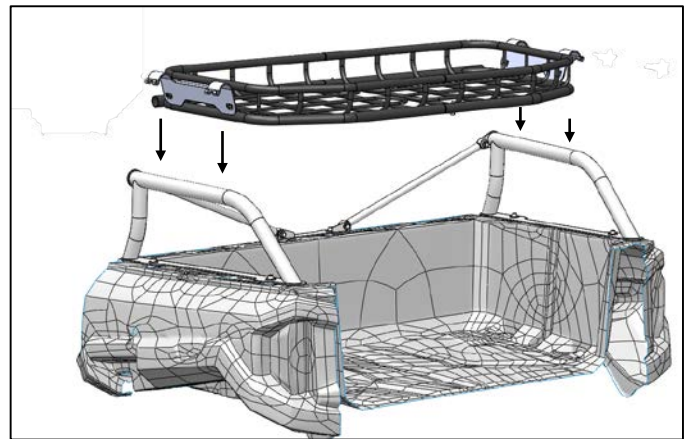
3. Attach the wedge nuts to the two basket side supports and center basket support using (6) M8x60mm bolts. Tighten just enough to hold the wedge nuts on.



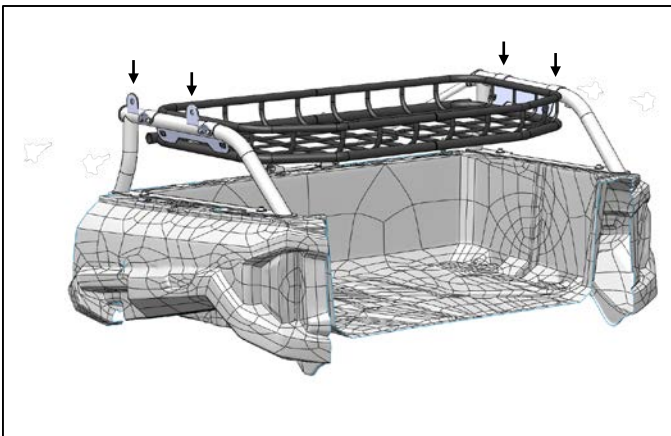
4. Place the three pieces from step 3 into the holes on the top edge of the bed rack.



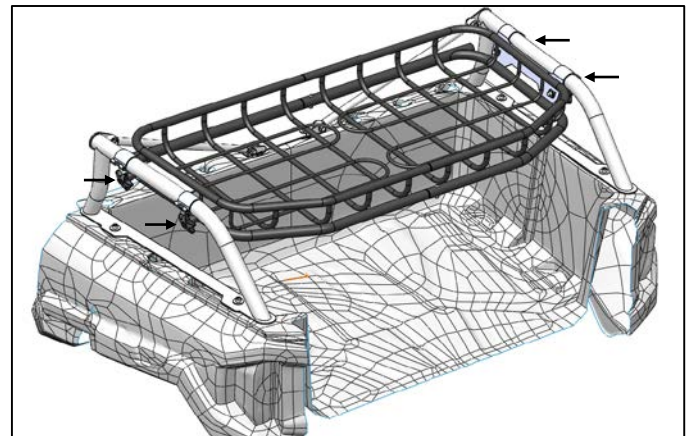
5. Attach the support rods with (4) M8 x 35mm Hex bolts (8) M8 washers, and (4) M8 Locknuts. Hand tighten bolts, but do not snug yet.



6. Place the basket on the supports.



7. Attach the (4) quarter clamps on each side of the basket.



8. Secure the basket with (4) star bolts. Make sure to tighten all bolts before use. There are 6 securing the basket supports to the bed, and 4 securing the two support rods to the basket assembly.