

Copyright © 2021 by Big Bike Parts, Inc. No part of this instruction sheet may be reproduced without the written permission of Big Bike Parts, Inc.

PART NO. 41-183

HIGHWAY FOOT REST

11/4/2021

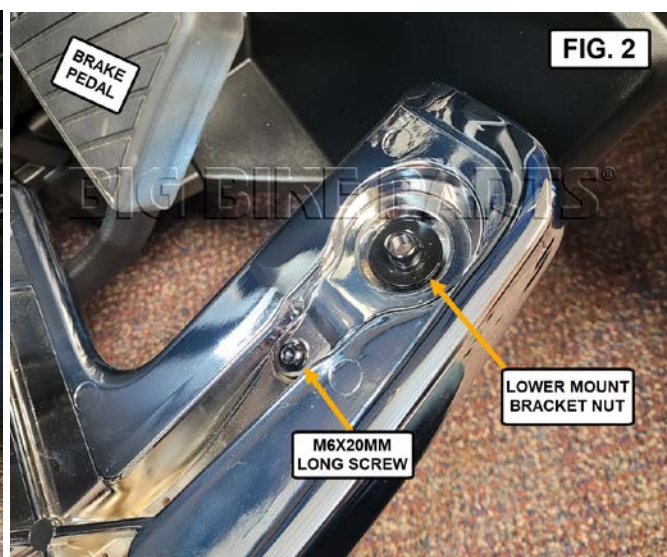
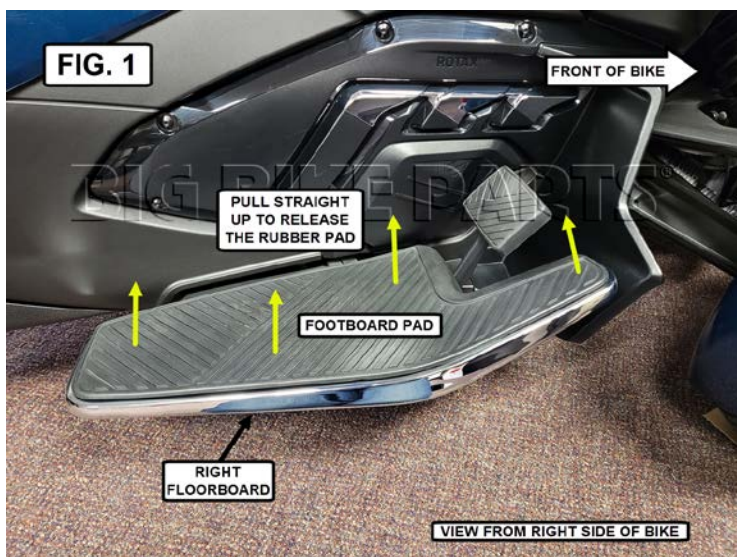
FITMENT: CAN-AM RT 2020-NEWER

TOOLS NEEDED:	5MM ALLEN WRENCH	4MM ALLEN WRENCH	13MM WRENCH	10MM OPEN ENDED WRENCH	RAZOR KNIFE
	REMOVABLE THREAD LOCK				

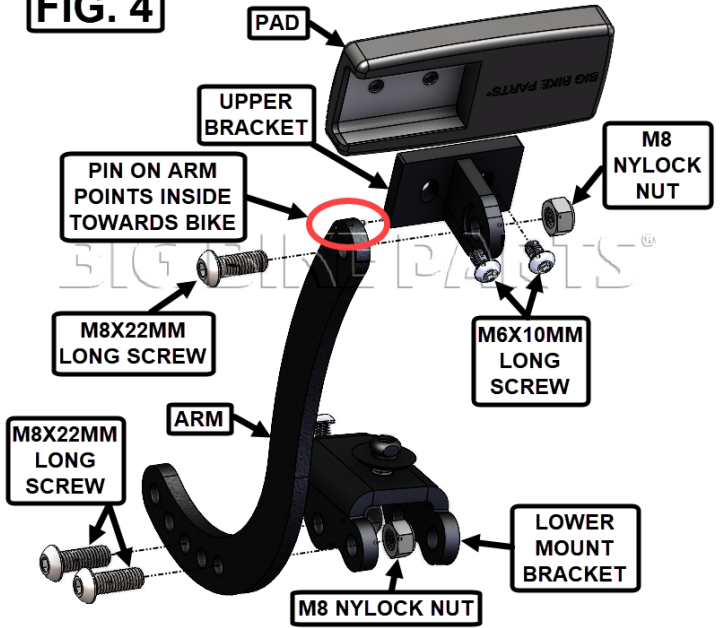
**PLEASE READ THROUGH AND UNDERSTAND THESE INSTRUCTIONS BEFORE BEGINNING. \*\*USE REMOVABLE THREAD LOCK ON ALL FASTENERS\*\***  
**ESTIMATED INSTALLATION TIME: 60 TO 90 MIN.**

#### INSTALLATION:

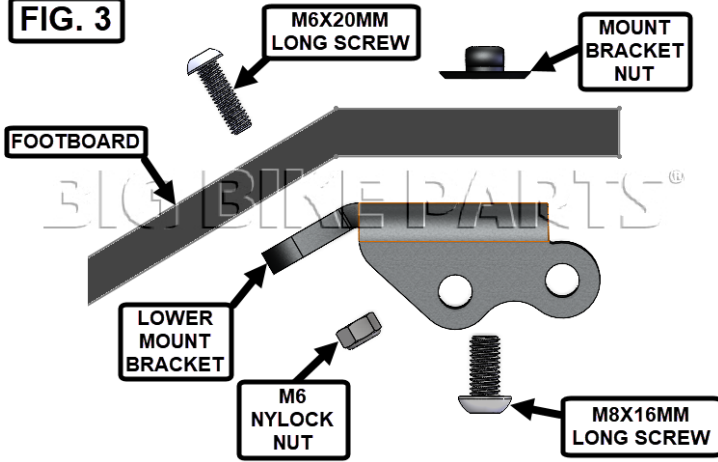
1. STARTING ON THE RIGHT SIDE, REMOVE THE RIGHT FOOT BOARD RUBBER PAD (FIG. 1) BY PULLING STRAIGHT UP. SET ASIDE FOR NOW.
2. PLACE THE M6-1.0X20MM LONG SCREW AND LOWER BRACKET NUT ACCORDING TO FIG. 2.
3. INSTALL THE LOWER MOUNT BRACKET UNDER THE FOOTBOARD ACCORDING TO FIG. 3 USING THE HARDWARE FROM STEP 2. ASSEMBLE AND INSTALL THE RIGHT HIGHWAY FOOTREST ACCORDING TO FIG. 4. **NOTE: INSTALL THE PAD TO THE UPPER BRACKET FIRST.** (FIG. 5 SHOWS THE 3 DIFFERENT POSITIONS THAT THE ARM CAN BE MOUNTED. THE PAD AND UPPER BRACKET CAN ALSO BE FLIPPED 180 DEGREES TO MOUNT FURTHER OUT FROM THE BIKE.)
4. LOCATE AND MARK THE RUBBER MOUNT (FIG. 6) THAT IS DIRECTLY OVER THE LOWER MOUNT BRACKET NUT.
5. PLACE THE RIGHT FOOTBOARD PAD UPSIDE DOWN ON A CLEAN SURFACE.
6. USING A RAZOR KNIFE, CUT STRAIGHT THROUGH THE RUBBER MOUNT ACCORDING TO FIG. 6.
7. REINSTALL THE RUBBER PAD ON THE FLOORBOARD BY PRESSING DOWN AT EACH RUBBER MOUNT. (IT MAY HELP TO PULL EACH RUBBER MOUNT THROUGH FROM THE BOTTOM SIDE.) THE FRONT RUBBER MOUNT THAT YOU CUT WILL BE PUSHED OVER THE LOWER BRACKET NUT.
8. REPEAT STEPS 1 THROUGH 8 ON THE LEFT SIDE OF THE BIKE.



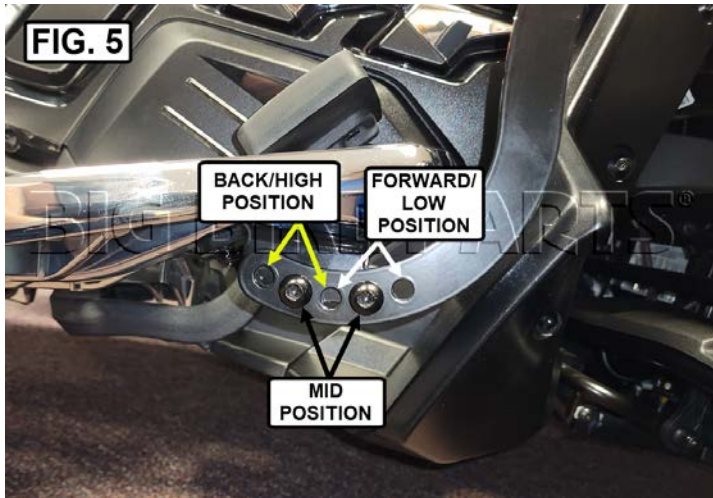
**FIG. 4**



**FIG. 3**



**FIG. 5**



**FIG. 6**



**NOTICE**

IGNORING THE CONTENTS OF THESE INSTRUCTIONS MAY AFFECT THE PRODUCT PERFORMANCE AND FUNCTIONALITY. NOT FOLLOWING THESE INSTRUCTION MAY CAUSE DAMAGE TO THE PRODUCT OR THE VEHICLE TO WHICH IT IS BEING ATTACHED.

**WARNING**

THREADLOCK CAUSES PLASTICS TO CRACK, BREAK OR BECOME BRITTLE. WHEN USING THREADLOCK TO INSTALL HARDWARE WITH PLASTIC COMPONENTS, ONLY APPLY TO METAL COMPONENTS. IT IS CRITICAL THAT ANY EXCESS THREADLOCKER OR SPILLAGE IS CLEANED COMPLETELY FROM PLASTIC COMPONENTS IMMEDIATELY BEFORE DRYING. A DAMP TOWEL OR RAG IS THE BEST WAY TO ACHIEVE THIS. IF EXCESS THREADLOCKER IS NOT CLEANED UP RIGHT AWAY, IT COULD LEAD TO DAMAGED PRODUCTS AND VOID WARRANTY.