

Copyright© 2021 by Big Bike Parts, Inc. No part of this instruction sheet may be reproduced without the written permission of Big Bike Parts, Inc.

PART NO. 41-206A

MIRROR LIGHT

FITMENT:

CAN-AM SPYDER RT 2020-NEWER, F3T/LTD 2019-NEWER

REVISED 5/5/2023

TOOLS NEEDED:

WIRE CUTTER/CRIMPER

RUBBING ALCOHOL

LINT FREE TOWEL

DRILL

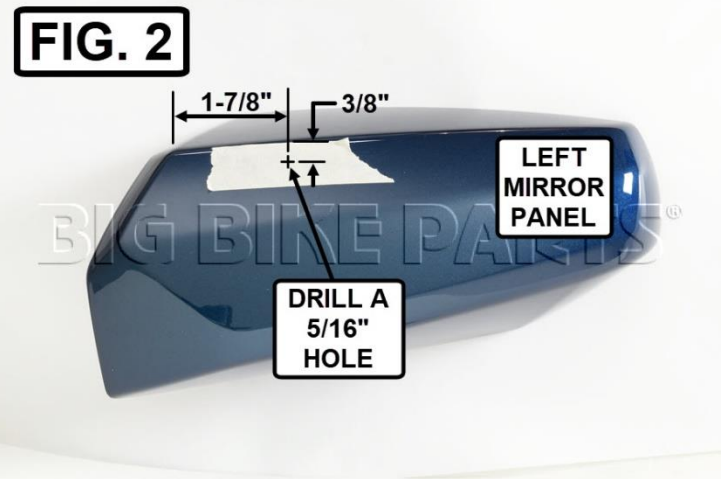
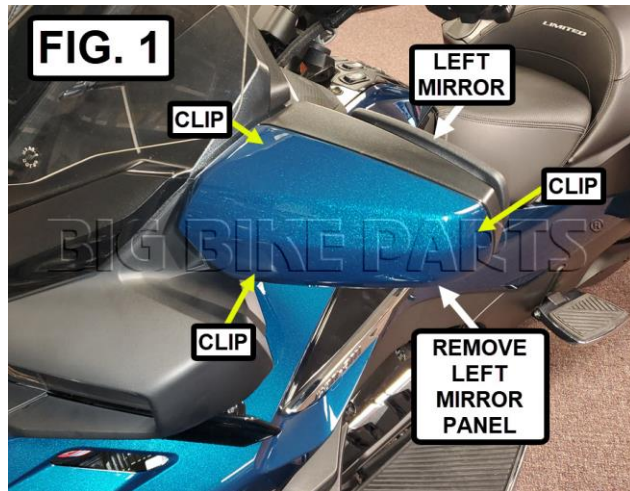
5/16" DRILL BIT

**PLEASE READ THROUGH AND UNDERSTAND THESE INSTRUCTIONS BEFORE BEGINNING.**

**ESTIMATED INSTALLATION TIME: 45 TO 60 MIN.**

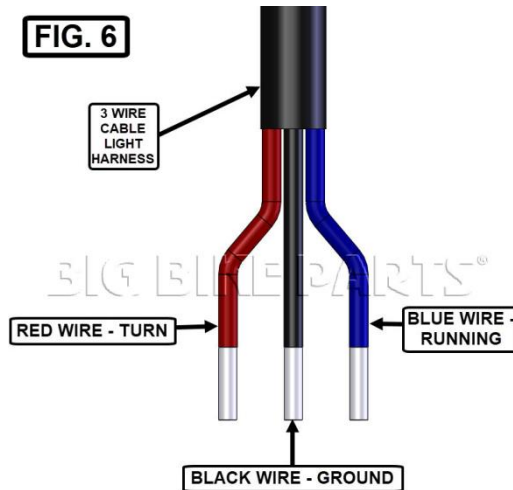
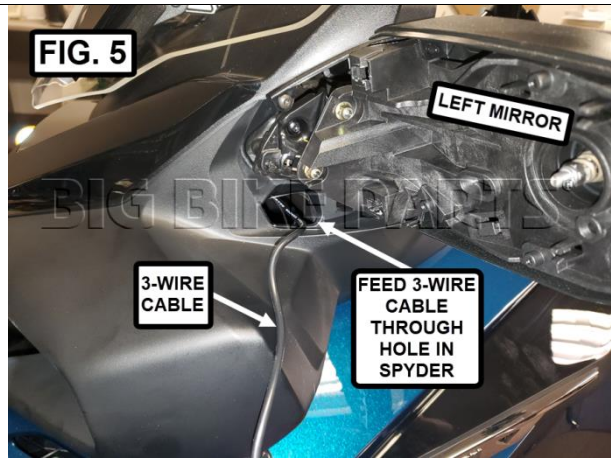
### INSTALLATION:

1. STARTING AT THE LEFT SIDE OF THE SPYDER, REMOVE THE LEFT MIRROR PANEL (**FIG. 1**) BY PULLING STRAIGHT FORWARD AT EACH CLIP LOCATION TO RELEASE.
2. PLACE THE LEFT MIRROR PANEL ON A CLEAN SURFACE.
3. PLACE A PIECE OF MASKING TAPE ON THE LEFT MIRROR PANEL AND MARK ACCORDING TO **FIG. 2**.
4. CAREFULLY DRILL A 5/16" HOLE CENTERED ON THE MARK FROM STEP 3. (BBP RECOMMENDS USING A STEP DRILL OR BRAD POINT DRILL BIT TO DRILL PLASTIC PARTS.) *REMOVE ANY BURRS FROM DRILLING.*
5. REMOVE MASKING TAPE AND CLEAN THE SURFACE WHERE THE LEFT MIRROR LIGHT WILL MOUNT WITH RUBBING ALCOHOL AND A LINT FREE TOWEL.
6. LET THE LEFT MIRROR PANEL DRY COMPLETELY
7. USE **FIG. 3** TO DETERMINE THE LEFT AND RIGHT MIRROR LIGHTS. SET THE RIGHT MIRROR LIGHT ASIDE FOR NOW.
8. FEED THE 3-WIRE CABLE FROM THE LEFT MIRROR LIGHT THROUGH THE HOLE DRILLED IN THE LEFT MIRROR PANEL.
9. PEEL THE BACKER FROM THE LEFT MIRROR LIGHT AND CAREFULLY PRESS INTO PLACE ON THE LEFT MIRROR PANEL (**FIG. 4**).
10. FEED THE 3-WIRE CABLE FROM THE LEFT MIRROR LIGHT THROUGH THE HOLE IN THE SPYDER AS SHOWN IN **FIG. 5** AND INSTALL THE LEFT MIRROR PANEL ON THE SPYDER.
11. REPEAT STEPS 1 THROUGH 10 ON THE RIGHT SIDE.
12. ROUTE THE 3-WIRE CABLES FROM BOTH LIGHTS ALONG THE SPYDER USING THE SUPPLIED WIRE TIES TO SECURE AS NEEDED. *(BBP RECOMMENDS USING AN ISOLATION FUSE BLOCK SUCH AS BBP P/N41-201 WHEN ADDING ELECTRICAL ACCESSORIES).*
13. CONNECT THE LIGHTS ACCORDING TO **FIG. 5** USING THE SUPPLIED T-TAP CONNECTORS.
14. LET THE TAPE CURE FOR 24 HOURS BEFORE USING.



**FIG. 3**





**NOTICE**

IGNORING THE CONTENTS OF THESE INSTRUCTIONS MAY AFFECT THE PRODUCT PERFORMANCE AND FUNCTIONALITY. NOT FOLLOWING THESE INSTRUCTION MAY CAUSE DAMAGE TO THE PRODUCT OR THE VEHICLE TO WHICH IT IS BEING ATTACHED.

**NOTICE**

THIS IS AN ADHESIVE BACKED PRODUCT. CAUTION MUST BE TAKEN DURING INSTALLATION TO PROPERLY POSITION FOR ONE TIME PLACEMENT. REPEAT TRIALS WILL RESULT IN FAILURE OF THE ADHESIVE.

**NOTICE**

**CAN-AM RT**

BIG BIKE PARTS RECOMMENDS INSTALLING AN ISOLATION FUSE BLOCK (PART NUMBER 41-201) BEFORE CONNECTING ANY ADDED ELECTRICAL ACCESSORIES TO THE RT.