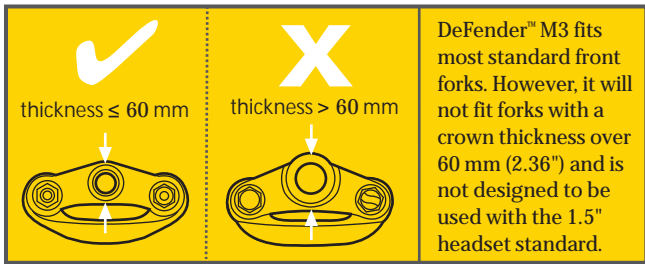
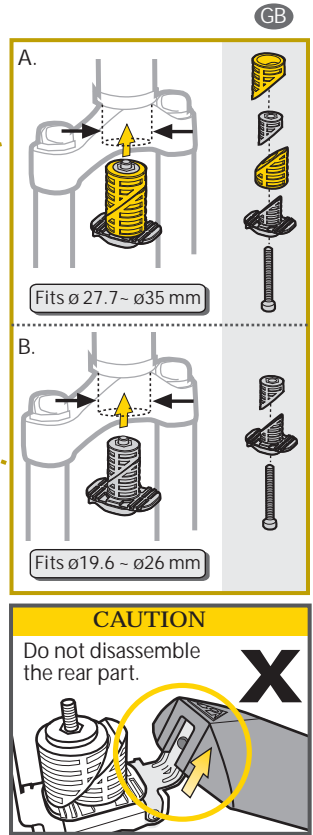
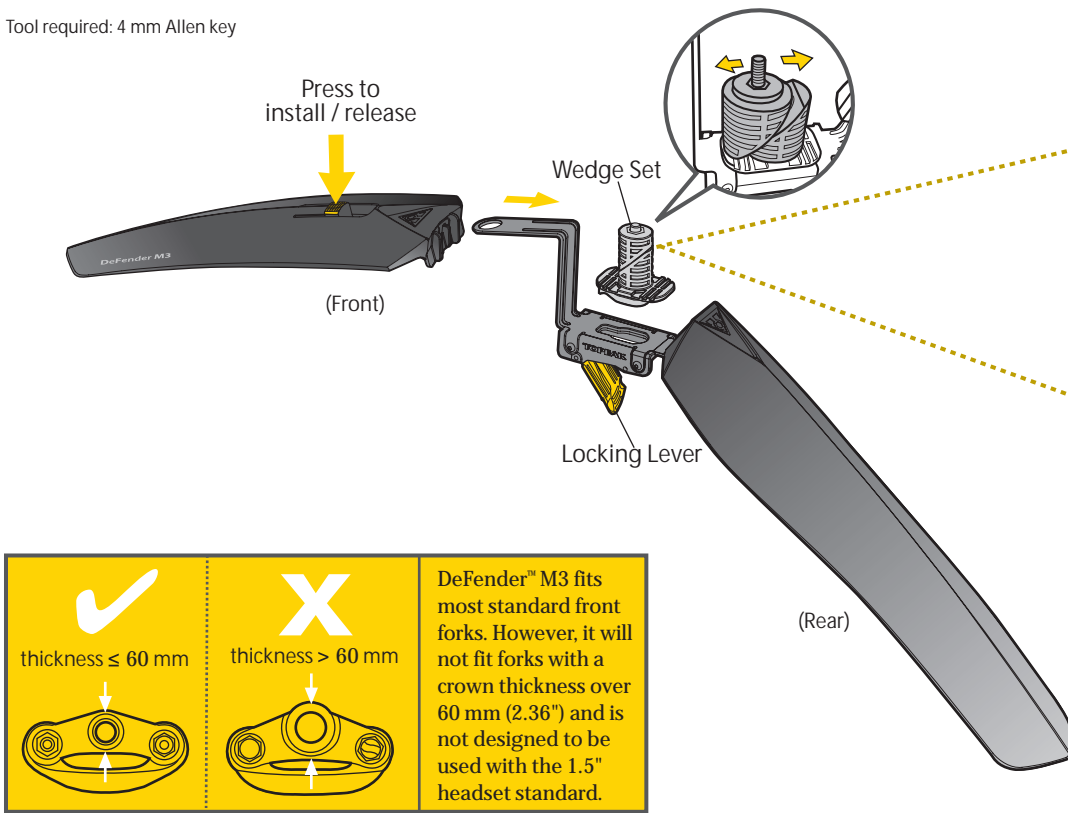
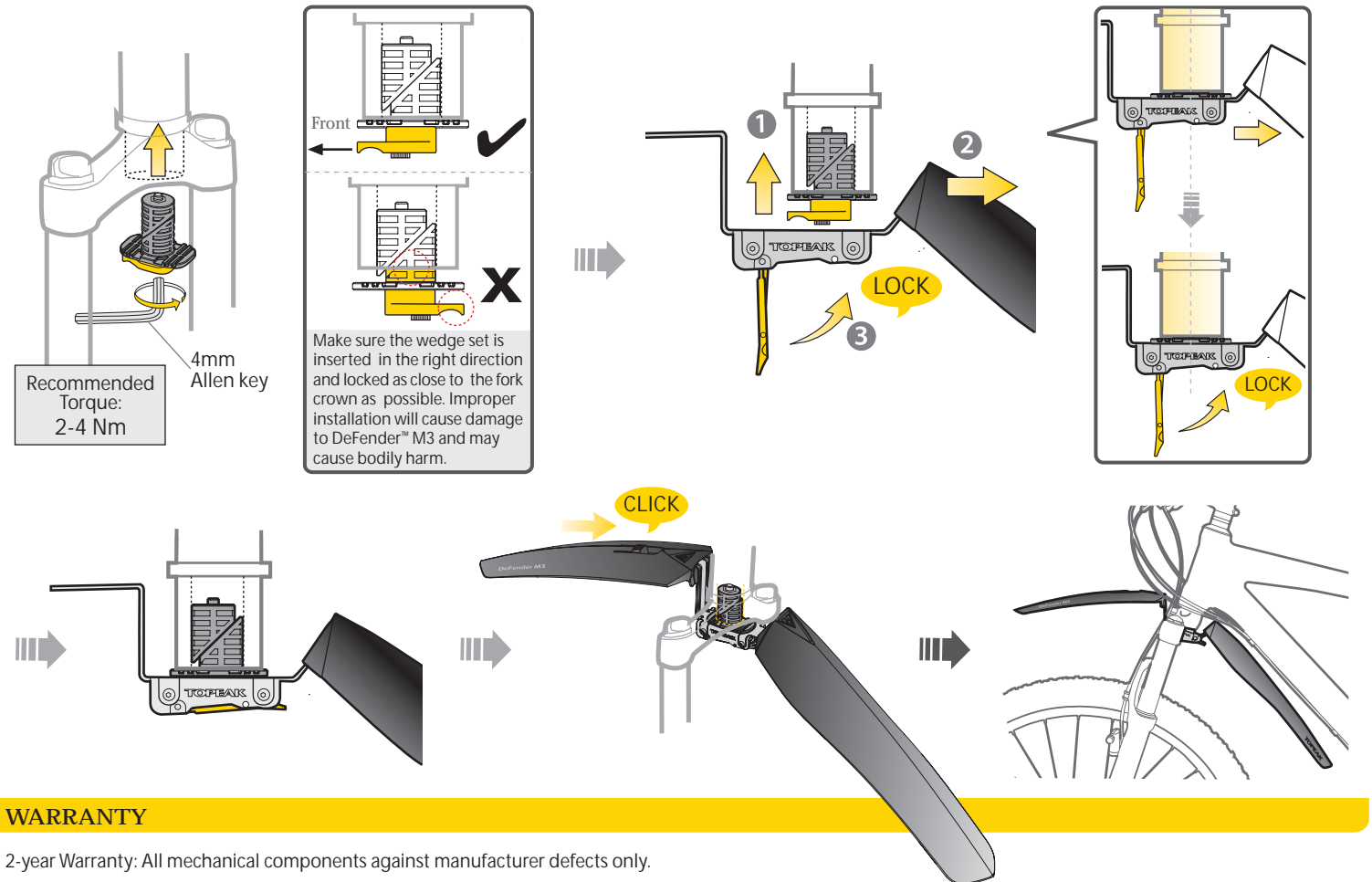


Tool required: 4 mm Allen key



### INSTALLATION



### WARRANTY

2-year Warranty: All mechanical components against manufacturer defects only.

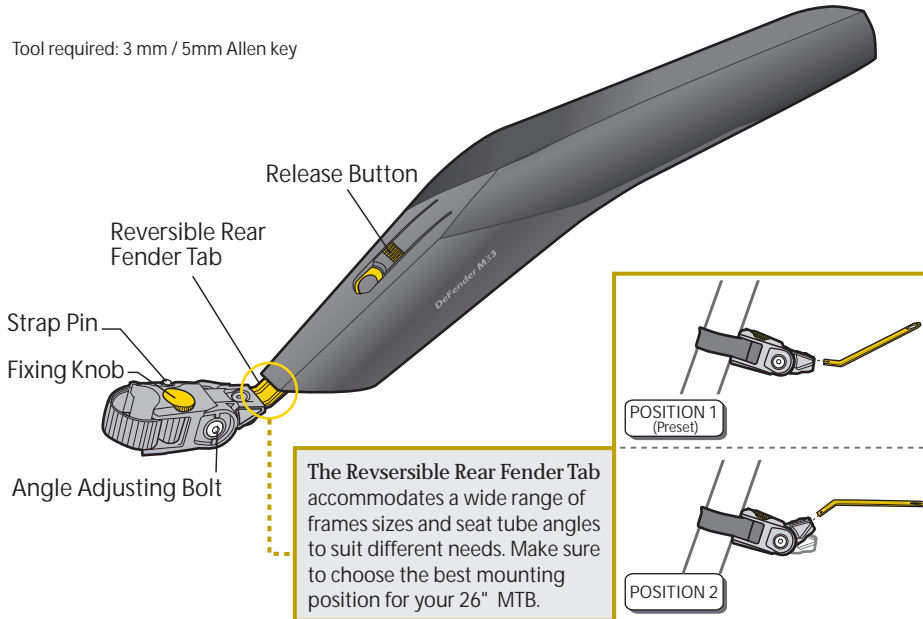
#### Warranty Claim Requirements

To obtain warranty service, you must have your original sales receipt. Items returned without a sales receipt will assume that the warranty begins on the date of manufacture. All warranties will be void if the product is damaged due to user crash, abuse, system alteration, modification, or used in any way not intended as described in this operating manual.

\* The specifications and design are subject to change without notice.

Please contact your Topeak dealer with any questions. For USA customer service call : 1-800-250-3068 , [www.topeak.com](http://www.topeak.com)

Tool required: 3 mm / 5mm Allen key



### ANGLE ADJUSTMENT

Recommended Torque: 2-4 Nm

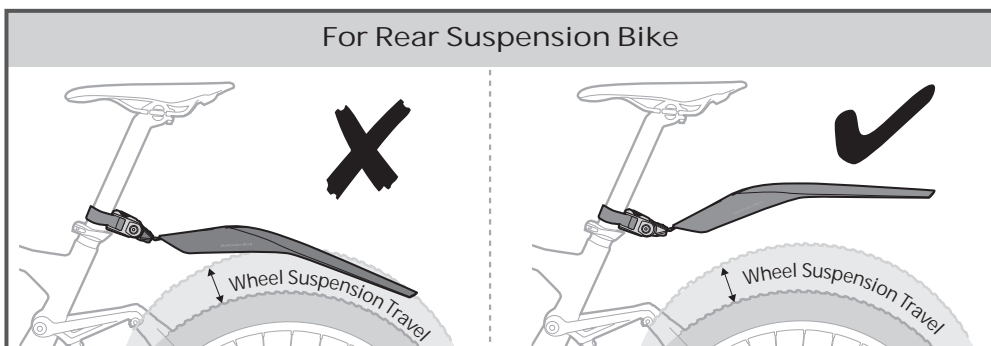
### WARNING

Adjust the angle of DeFender™ M33 by loosening the angle adjusting bolts and retightening the bolts once the correct angle is achieved. To prevent disassembly and possible damage, DO NOT loosen the bolt completely.

### INSTALLATION

- Release locking lever and strap pin
- Engage strap pin with locking lever until a "CLICK" is heard
- Close locking lever to fasten DeFender™ M33 onto seatpost

### REVERSIBLE REAR FENDER TAB INSTALLATION (POSITION 1 TO POSITION 2)



### WARNING

When adjusting the angle of DeFender™ M33, make sure the clearance between DeFender™ M33 and the tire is larger than wheel suspension travel of the bike. Incorrect clearance may cause damage to DeFender™ M33, your bike, or potentially cause bodily harm.