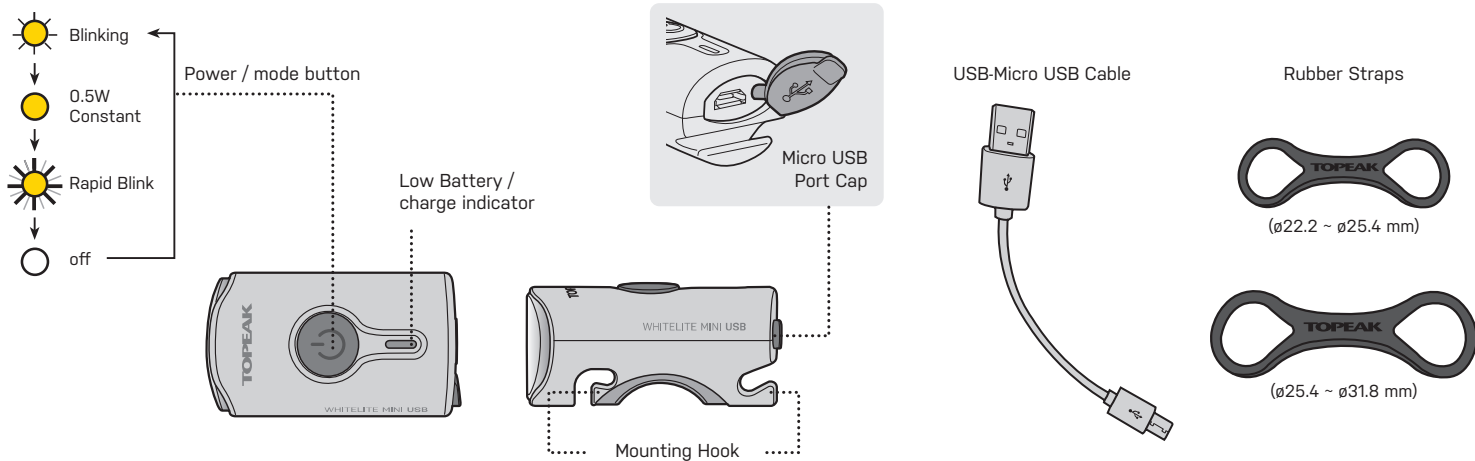
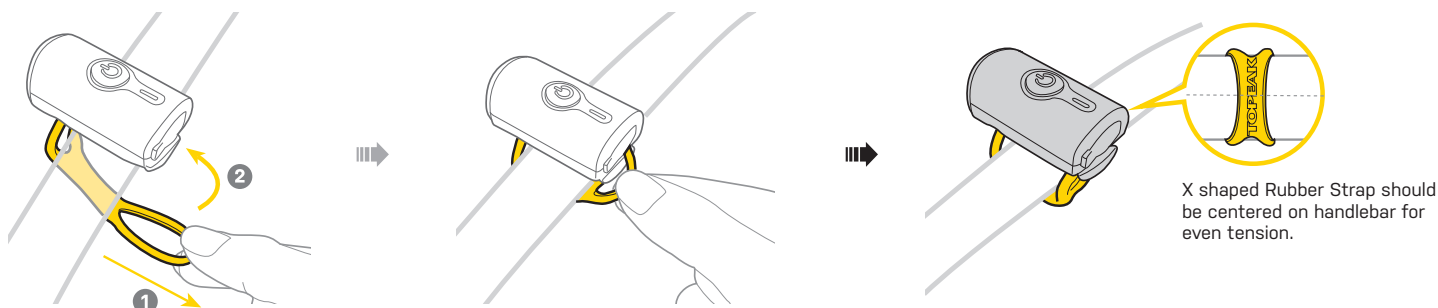




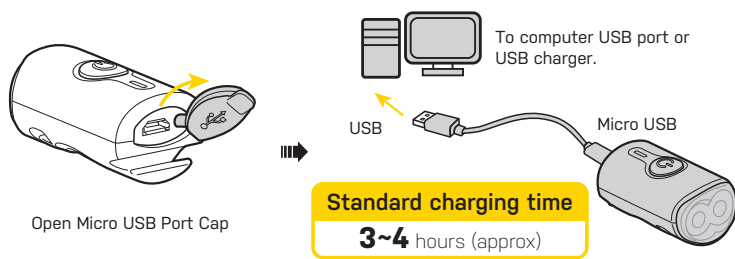
WHITELITE™ MINI USB



MOUNTING ON HANDLEBAR



BATTERY CHARGING



- The WhiteLite™ Mini USB **Charge Indicator** will be lit GREEN when charging. LED will turn off when battery is fully charged.
- The WhiteLite™ Mini USB **Charge Indicator** will be lit RED when the remaining battery power is low. Please charge the light as soon as possible.
- The WhiteLite™ Mini USB LED will not illuminate if the battery is faulty.
- Disconnect the Micro-USB cable from your computer port when the WhiteLite™ Mini USB is removed.
- After WhiteLite™ Mini USB is fully charged, unplug the USB cable.
- Do not open light body.
- Li-ion battery may take 3 to 5 charging cycles to attain full capacity.
- Do not leave battery connected to charge source over 48 hours continuously.
- Charging with USB hub will take longer.
- After long periods of non-use, the battery will lose charge. Always charge the battery fully before each use and storage.
- Maintain the battery by charging it every two months and storing it in a cool, dry place to prevent from decreasing its lifespan.
- Safely and properly dispose of the old Li-ion batteries according to your local regulations.

SPECIFICATION

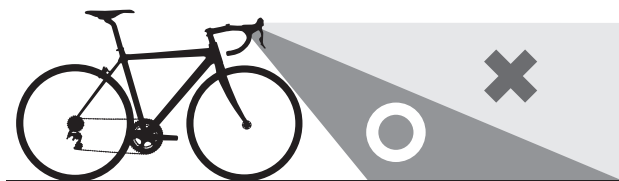
Function : Blinking / 0.5W Constant / Rapid Blink
Burn Time : 7 hr / 3 hr / 35 hr
Luminous : 60 Lumens
Lamp : 2 super bright 0.3W white LEDs
Battery : 3.7V 330mAh Lithium Ion
Charge : USB power supply 5V 500mA
Weight : 22 g / 0.78 oz (light only)
Reserve Time: 0.5 hr

SPARE PARTS



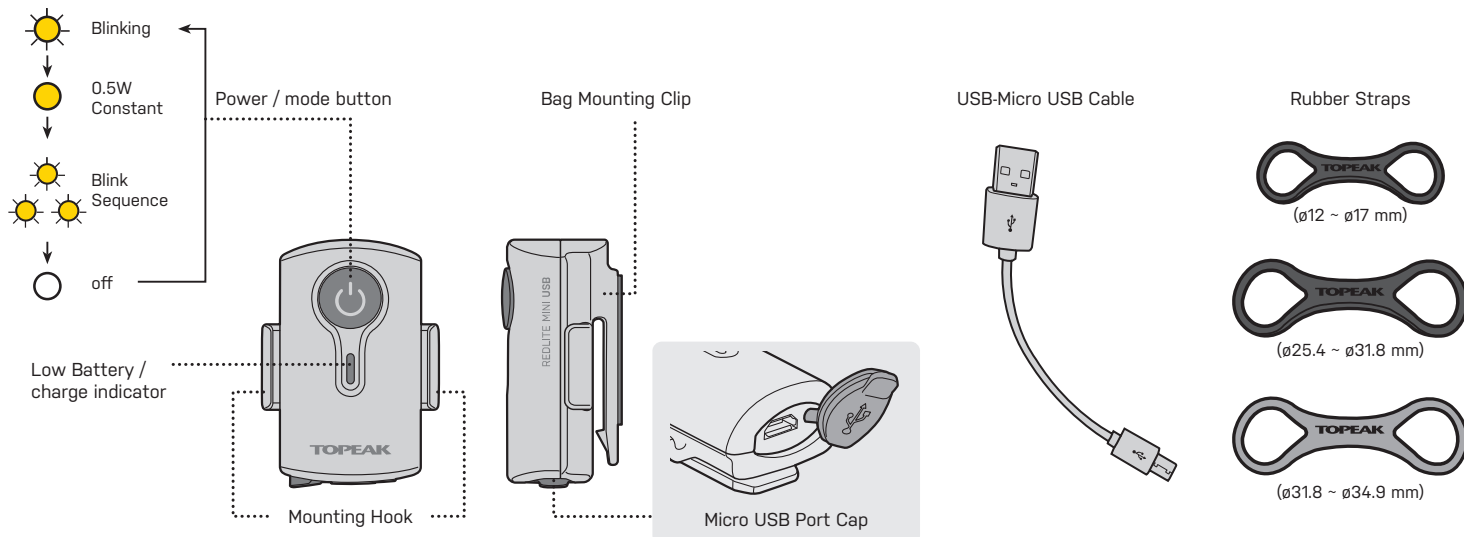
WARNING

- Although light body is water-resistant (under normal weather conditions of rain, etc.) never intentionally submerge it underwater.
- For ultimate safety, the WhiteLite™ Mini USB should be used in conjunction with a specific night riding light.
- In addition to its brightness, the beam is widely diffused. In case you need to use this light on public roads, be sure to adjust the angle downward so as not to blind oncoming traffic.

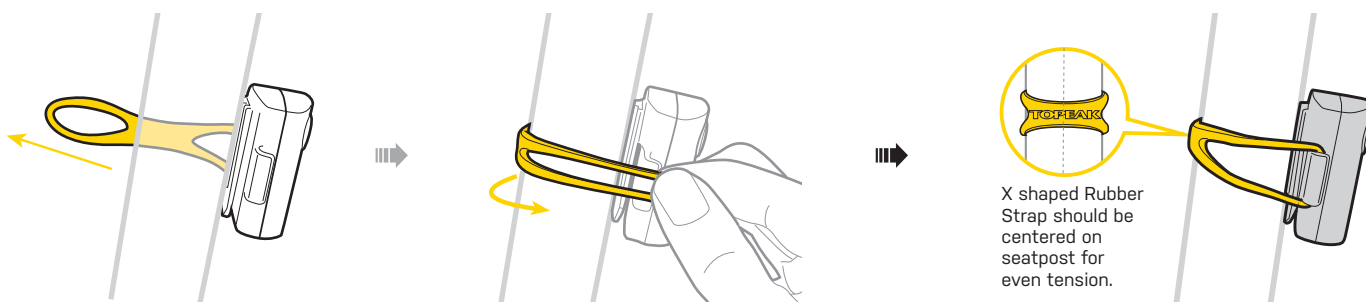




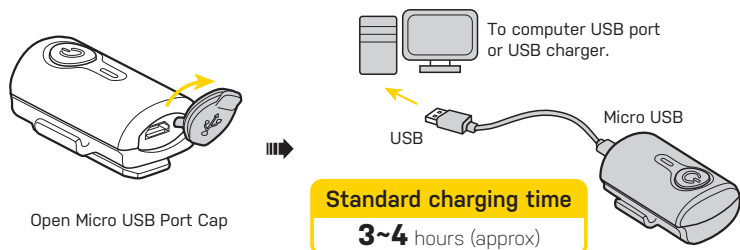
REDLITE™ MINI USB



MOUNTING ON SEATPOST

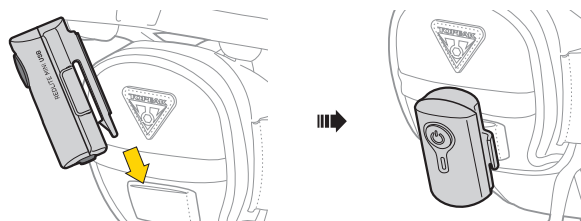


BATTERY CHARGING



- The RedLite™ Mini USB **Charge Indicator** will be lit GREEN when charging. LED will turn off when battery is fully charged.
- The RedLite™ Mini USB **Charge Indicator** will be lit RED when the remaining battery power is low. Please charge the light as soon as possible.
- The RedLite™ Mini USB LED will not illuminate if the battery is faulty.
- Disconnect the Micro-USB cable from your computer port when the RedLite™ Mini USB is removed.
- After RedLite™ Mini USB is fully charged, unplug the USB cable.
- Do not open light body.
- Li-ion battery may take 3 to 5 charging cycles to attain full capacity.
- Do not leave battery connected to charge source over 48 hours continuously.
- Charging with USB hub will take longer.
- After long periods of non-use, the battery will lose charge. Always charge the battery fully before each use and storage.
- Maintain the battery by charging it every two months and storing it in a cool, dry place to prevent from decreasing its lifespan.
- Safely and properly dispose of the old Li-ion batteries according to your local regulations.

MOUNTING ON BAG



SPECIFICATION

Function : Blinking / 0.5W Constant / Blink Sequence
Burn Time : 6 hr / 2.5 hr / 15 hr
Luminous : 11 Lumens / 100 CD
Lamp : 3 super bright 0.2W red LEDs
Battery : 3.7V 330mAh Lithium Ion
Charge : USB power supply 5V 500mA
Weight : 22 g / 0.78 oz (light only)
Reserve Time: 0.5 hr

WARNING

- Although light body is water-resistant (under normal weather conditions of rain, etc.) never intentionally submerge it underwater.

WARRANTY

1-year Warranty: All mechanical components against manufacturer defects only.

Warranty Claim Requirements

To obtain warranty service, you must have your original sales receipt. Items returned without a sales receipt will assume that the warranty begins on the date of manufacture. All warranties will be void if the product is damaged due to user crash, abuse, system alteration, modification, or used in any way not intended as described in this manual.

* The specifications and design are subject to change without notice.

Please contact your Topeak dealer with any questions.
 For USA customer service, call: 1-800-250-3068
www.topeak.com

