



28mm

40mm

70mm

## Valve Extender

Presta Valve Extender x 2pcs + Aluminum Valve Tool



Durable alloy **Valve Tool** easily tightens or removes two-piece type Presta valve cores and valve extenders.



TUBELESS TIRES

INNER TUBES

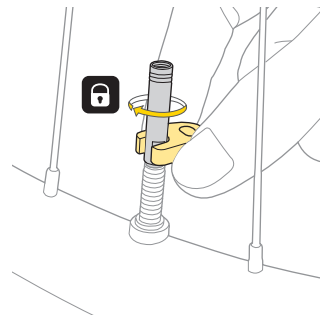
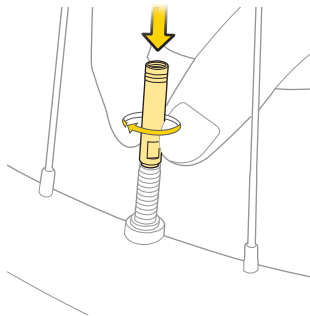
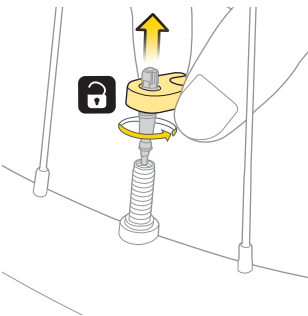
TUBULAR TIRES

28 / 40 / 70mm extension for two-piece type Presta valves

EN

## INSTALL

- 1 Use **Valve Tool** to remove Presta valve core
- 2 Install **Valve Extender** to valve stem
- 3 Use **Valve Tool** to tighten valve stem



- 4 Insert Presta valve core and use **Valve Tool** to retighten it



### Note:

To improve air seal, wrap threads of valve extender and valve core with teflon thread tape and ensure threads are tight.

## WARRANTY

2-year Warranty: All mechanical components against manufacturer defects only.

### Warranty Claim Requirements

To obtain warranty service, you must have your original sales receipt. Items returned without a sales receipt will assume that the warranty begins on the date of manufacture. All warranties will be void if the product is damaged due to user crash, abuse, system alteration, modification, or used in any way not intended as described in this manual.

\* The specifications and design are subject to change without notice.

Please contact your Topeak dealer with any questions. For USA customer service, call: 1-800-250-3068 / [www.topeak.com](http://www.topeak.com)

Copyright © Topeak, Inc.