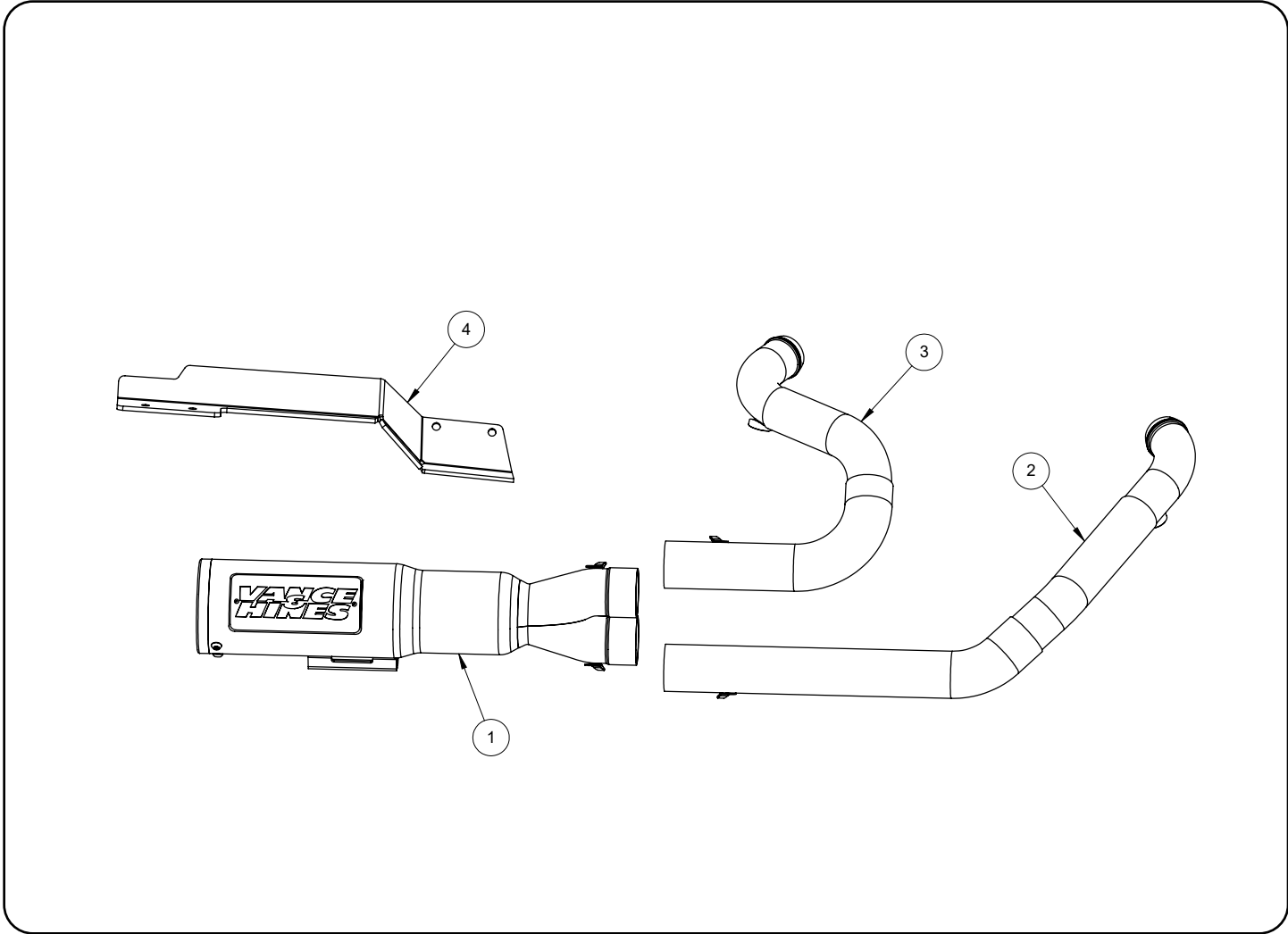




**INSTALLATION INSTRUCTIONS:
2017+ HARLEY-DAVIDSON TOURING
STAINLESS HI-OUTPUT RR 2-1
PART# 27321/47321**

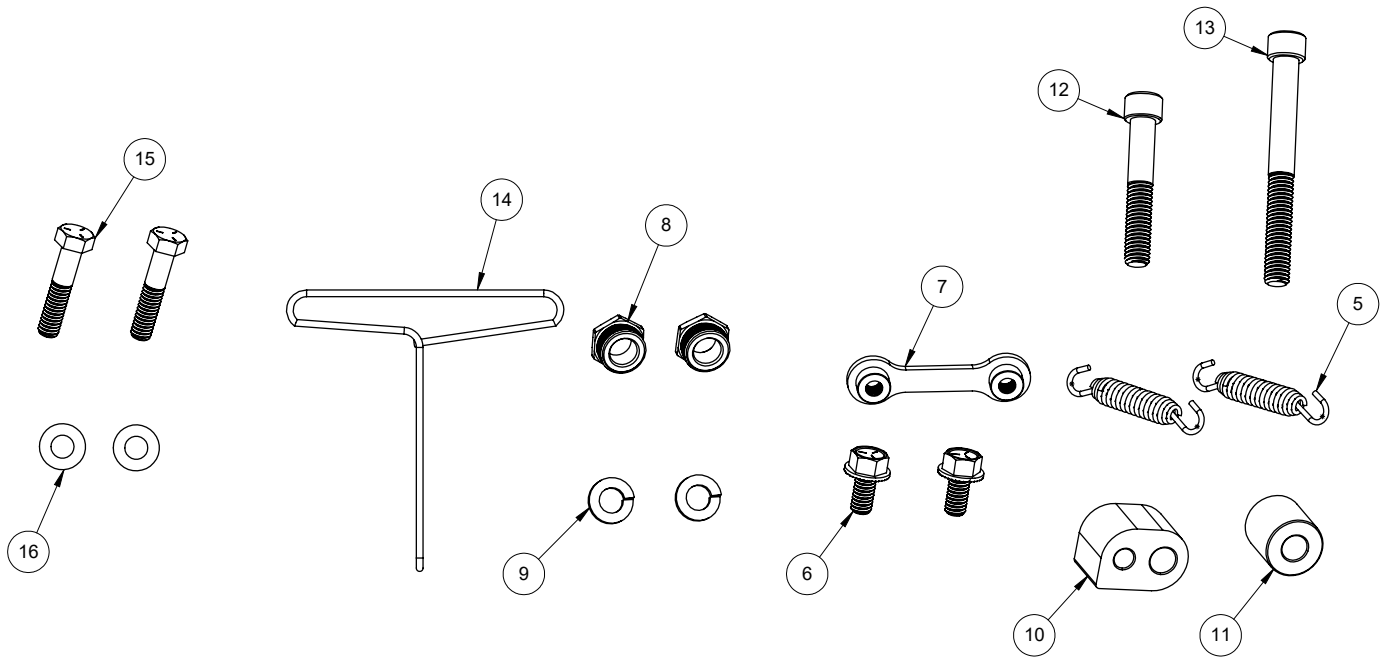
Congratulations, you have purchased the finest exhaust system available for your motorcycle. Your Vance & Hines exhaust is designed and crafted for performance, quality, and style. Please follow the instructions below, check exhaust system for missing or damaged parts and if you need any assistance please contact our technical support line (562) 921-7461.



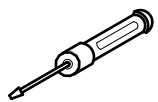
PARTS LIST

NO.	PART NO.	Description	Qty.
1	D334RB-S/D346RP-S	MUFFLER CAN ASSY	1
2	D1134FB/D1334FP	FRONT HEAD PIPE	1
3	D1135FB/D1335FP	REAR HEAD PIPE	1
4	1343-P	BRACKET	1
5	A115SP	SPRING	2
6	A240HW	5/16"-18 X 5/8IN FHS	2
7	A195HW	DOGBONE NUT PLATE	1
8	A644ST	18-12MM O2 ADAPTOR	2
9	A286HW	3/8" SPLIT LOCK WASHER	2
10	A667HW	R FLOOR BOARD SPACER	1
11	A902HW	F FLOOR BOARD SPACER	1
12	A826HW	3/8"-16 X 2.25" SHCS	1
13	A667HW	3/8"-16 X 3.50" SHCS	1
14	A260SP	SPRING PULLER	1
15	A345HW	5/16"-18X1.5" HEX SCREW	2
16	A107HW	5/16" FLAT WASHER	2

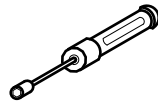
HARDWARE



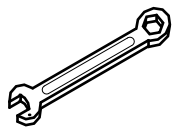
TOOLS REQUIRED



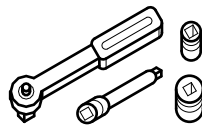
Flat Head Screwdriver



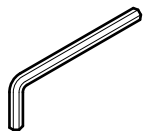
5/16 Nut Driver



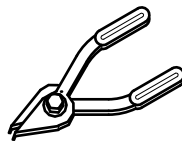
Combination Wrenches:
1/2", 9/16", 14mm,
17mm, 19mm



3/8" Drive Ratchet w/ 4" extension
1/2", 9/16" Deep Sockets
3/8" 12pt Socket, 1/4" Allen Socket
10mm, 19mm Socket



Allen Wrenches:
1/4", 5/32", 3/16", 5/16"
Torx: T45



Snap Ring Pliers

STOCK EXHAUST SYSTEM REMOVAL

- 1.** Remove both left and right saddlebags and set them aside. Remove the right side panel.
- 2.** Loosen the pinch clamp bolt on the front end of muffler(s).
- 3.** Remove the two bolts and washers that mount the muffler(s) to the saddlebag supports.
- 4.** Remove the stock muffler(s) and set aside. NOTE: It may be necessary to use a penetrating lubricant to loosen muffler(s) from the head pipe.
- 5.** Locate and unplug the O2 sensor wires from the wiring harness (Grey and Black connectors located behind right side panel) and remove cable ties holding wires to frame. Feed the end of the wires through the frame so they are free from the motorcycle. NOTE: Pay attention to wire routing for re-installation.
- 6.** Remove the right side floor board.
- 7.** Remove the right side passenger floor board. (If equipped)
- 8.** Loosen head pipe clamp connecting the left side muffler to the rear crossover header and the mount bracket on the backside of the oil pan. Remove the crossover section from the head pipe and the head pipe clamp.
- 9.** Remove the mount clamp located behind the oil pan. The mount and bolts will not be re-used.
- 10.** Remove nut from front headpipe mounting bracket and stud located to the right of the transmission cover.
- 11.** Loosen the heat shield clamps on both front and rear exhaust pipes.
- 12.** Remove the two flange mounting nuts from each head pipe, located at the cylinder head. Carefully remove the head pipes and set aside.
- 13.** Remove stud that was mentioned in step 10.
- 14.** Carefully remove the O2 sensors from the stock head pipes and save for re-use with the new system.
- 15.** Carefully remove the exhaust port flanges and circlips from the stock exhaust system using snapping pliers. NOTE: If circlips look bent or twisted, replace them.

VANCE & HINES EXHAUST INSTALLATION

NOTE: Use appropriate Harley-Davidson service manual procedures when referring to exhaust installation.

1. Install 1343-P bracket onto frame using the supplied A345HW bolts and A107HW washers **(Figure 1)**.
2. Remove head pipes from their protective packaging. Place each head pipe on a non-abrasive surface such as a blanket or carpet.
3. Install circlips and flanges from the stock system onto both the new head pipes.
4. Apply a small amount of anti-seize compound to the threads of the O2 sensors and install them into the new head pipe. Install supplied 18mm to 12mm oxygen sensor adapter then install 12mm oxygen sensors.
5. Install the front header assembly (D1134FB/D1334FP) into the front exhaust port first. Use the stock flange nuts, do not tighten at this time **(Figure 2)**.
6. Install the rear header assembly (D1135FB/D1335FP) into the exhaust port. Use the stock flange nuts, do not tighten at this time **(Figure 2)**.
7. Slide the dog bone nute plate (A195HW) into the muffler bracket and slip muffler can onto front and rear head pipes. Hand tighten muffler to the mounting bracket using supplied 5/16-18 flange head bolts (A240HW, x2) **(Figure 3)**.
8. Tighten the exhaust system nut, bolts, and clamps in the following sequence: (1) Head flange nuts (x4), (2) Muffler body 5/16-18 flange head bolts (A240HW, x2). Make sure the head pipes and mufflers are aligned parallel, **(Figure 4)**.
9. Install springs using supplied spring puller; there should be about 2" between spring tabs **(Figure 5)**.
10. Route the front O2 sensor wire along OE path and plug into the Grey connector. Route the rear O2 sensor along top of the transmission along the OE path and plug into the Black connector.
11. Install 3/8" lock washers (A286HW) on both 3/8"-16 (2.25" & 3.5" long) socket cap screws (supplied). Using these bolts reinstall the floor board with two machined spacers (supplied) on the forward mount (A902HW) and back mount (A667HW). **(Figure 6)**
Note: Machined spacers are located between the floor board supports and floor board mounting plate.
12. Re-install the right side passenger floor board, right side panel, then saddlebags.
13. Be sure to tighten all hardware before starting your motorcycle.
14. After installation and before starting the motorcycle, completely clean pipes and muffler with cleaning solvent and a clean soft cloth that will not leave residue. NOTE: Any residue, oil, or fingerprints will stain the finish when the metal heats up.

FIGURE 1

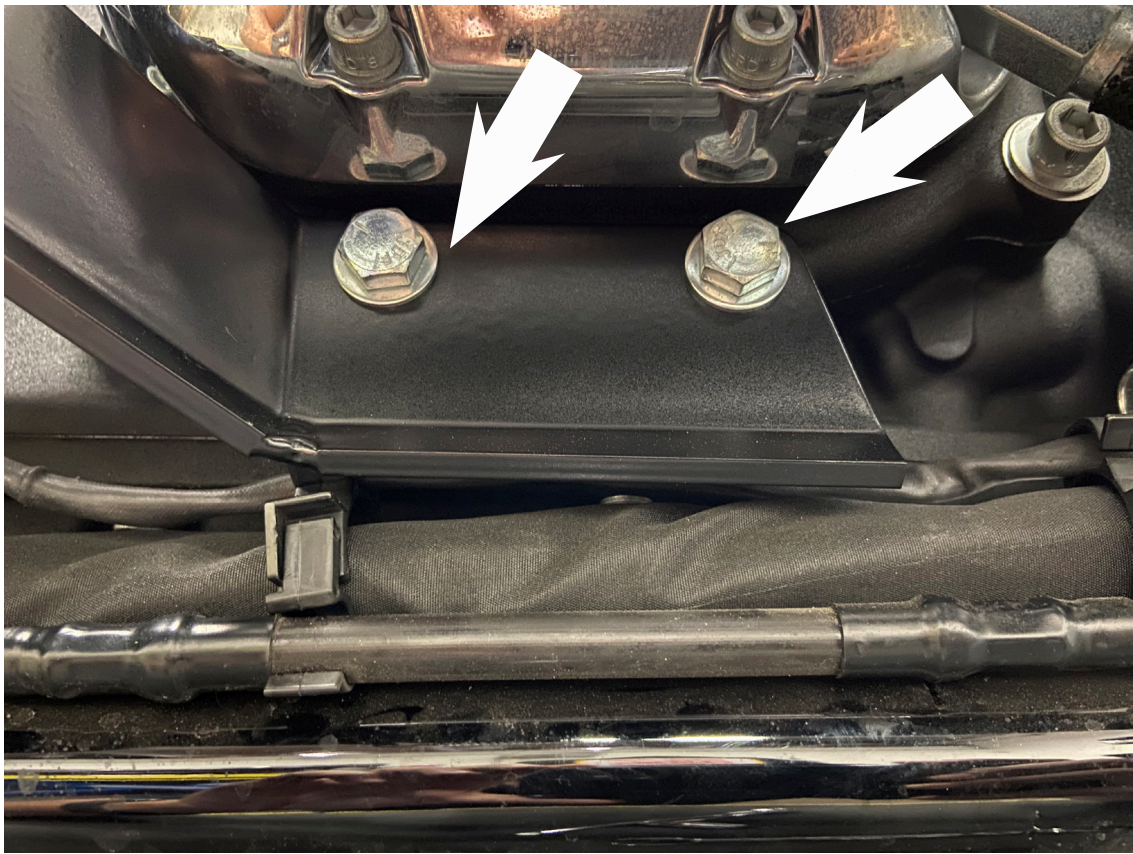


FIGURE 2



FIGURE 3



FIGURE 4



FIGURE 5

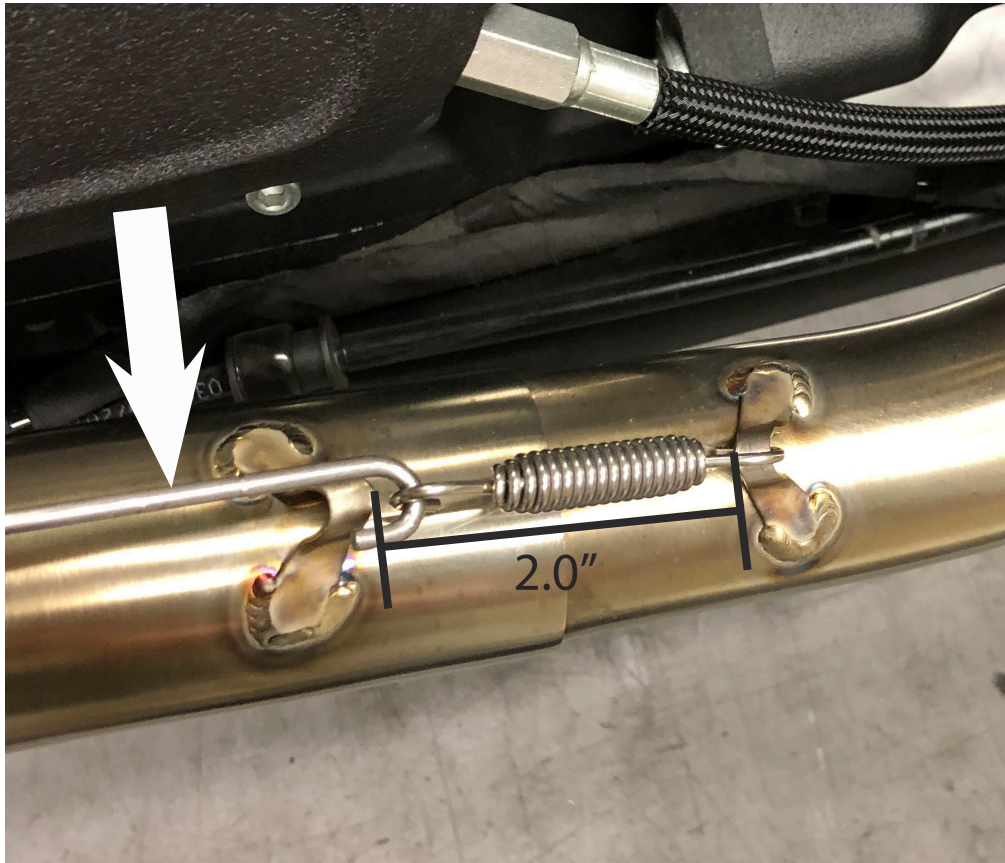
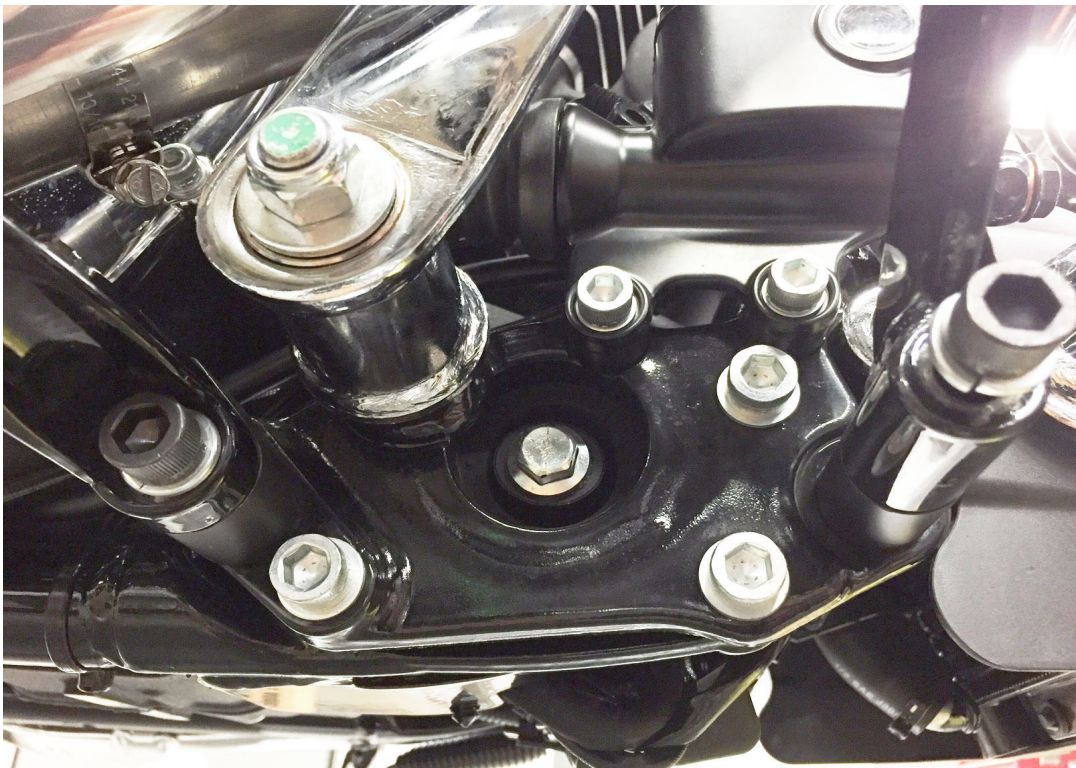


FIGURE 6



EXHAUST CARE (STAINLESS)

1. When installing a new set of stainless pipes, make sure your hands are clean and free of oil. After installation, thoroughly clean pipes with a soft cloth and cleaning solvent that will leave no residue (glass cleaner, alcohol, acetone, etc...) before starting the motorcycle.
2. It is considered normal for stainless steel exhaust systems to discolor due to heat.
3. High performance engine tuning utilizing a dyno will likely result in severe discoloration.
4. Avoid long periods of idling as this can cause discoloration. Intake leaks can cause the engine to run lean and overheat and this could lead to discoloration.
5. Make sure there are no exhaust leaks at the junction of the exhaust pipes and cylinder head. We recommend replacing gaskets if they are worn.

EXHAUST CARE (BLACK)

1. When installing a new set of black pipes, make sure your hands are clean and free of oil. After installation, thoroughly clean pipes with warm soapy water and a soft cloth. Dry with a clean towel to remove any residue before starting the motorcycle. Do NOT use anything abrasive to clean pipes.
2. Avoid long periods of idling as this can cause discoloration.
3. Intake leaks can cause the engine to run lean and overheat, this could lead to discoloration.
4. Make sure there are no exhaust leaks at the junction of the exhaust pipes and cylinder head. We recommend replacing gaskets if they are worn.

Emissions Notice:

In California, in order to meet Air Resources Board emissions requirements, certain aftermarket part applications have been identified as replacements, and others have received ARB Executive Orders. All other emissions related aftermarket parts are for competition use only. A list of replacement parts and EO parts, and corresponding fitment is provided at vanceandhines.com/California.

Warranty:

All Vance & Hines products are warranted against defects in material and workmanship for a period of 90 days. This warranty does not cover discoloration or rust. This warranty shall be limited to the repair or replacement of the product, which may be proven defective under normal use. Vance & Hines will not warranty any system that has been abused, misused, improperly installed or modified.

Dealers or distributors are not authorized to make dispositions binding upon Vance & Hines. Vance & Hines will not be responsible for any labor charges incurred in removing or replacing any system under warranty. A return authorization number and a copy of the original purchase invoice must accompany all returns. Parts returned without a return authorization may be refused.

13861 ROSECRANS AVENUE / SANTA FE SPRINGS, CA 90670
SALES: (562) 921-5388
TECHNICAL: (562) 926-5291
FAX: (562) 802-0110

vanceandhines
.com