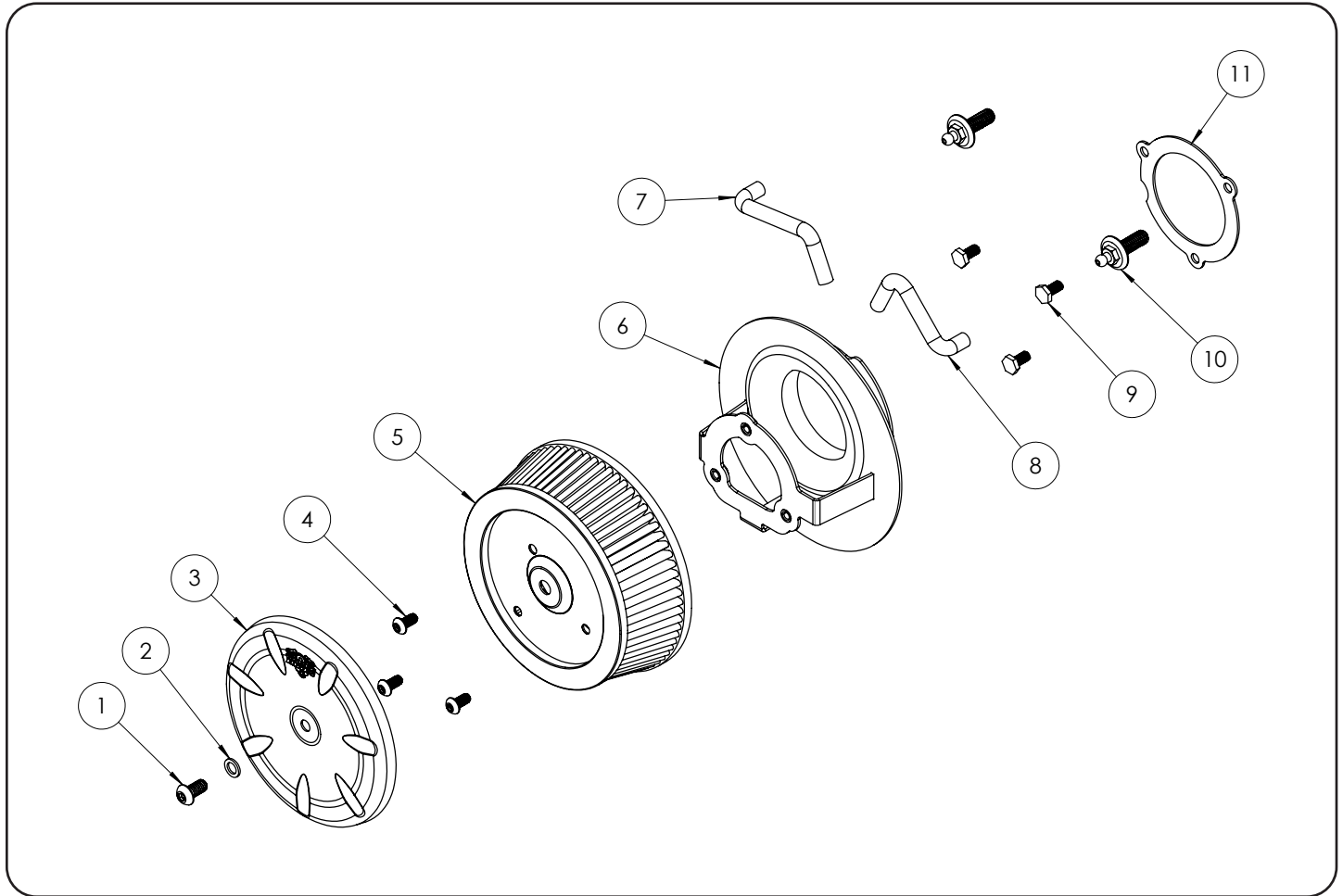


INSTALLATION INSTRUCTIONS: HARLEY-DAVIDSON 17-22 TOURING/ 18-22 SOFTAIL VO2 NAKED AIR FILTER SKULLCAP ELIMINATOR KIT PART# 72373 / 42373

Congratulations, you have purchased the finest air intake system for your motorcycle on the market. Your Vance & Hines Air Intake system is designed and crafted for maximum performance and a perfect fit. Please follow the installation instructions below and if you have any questions, please call our technical support line at (562) 926-5291.

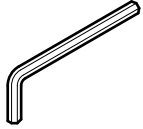
Exempt from emissions tampering regulations under CARB EO# D-632-7 for 2017-2022 Harley-Davidson Touring and 2018-2022 Softtail models



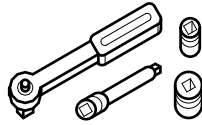
PARTS LIST

NO.	Description	Qty.			
1	5/16-18 x 5/8 BHCS	1	7	Rear Breather Hose	1
2	Washer	1	8	Front Breather Hose	1
3	Eliminator Skullcap	1	9	1/4-20 x 1/2 Hed Head Screw	3
4	1/4-20 x 1/2 BHCS	3	10	3/8-16 UNC-2A Bleed Bolt	2
5	Air Filter	1	11	Throttle Body Gasket	1
6	Venturi Naked Backing Plate	1			

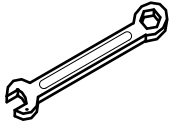
TOOLS REQUIRED



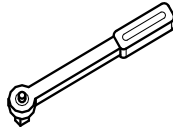
T27 Torx Wrench
3/16" Allen,
5/32" Allen



1/4" or 3/8" Drive Ratchet
7/16" Hex Socket and 5/16"



Combination Wrench
7/16"



**Inch-Pound Torque
Wrench**

Loctite 243 (blue)

OEM SYSTEM REMOVAL

1. Begin by removing the OE air filter cover. On some models the cap screw may be covered by a vanity cover. Pull this cover off carefully as it is held on by Velcro.
2. This will expose the filter element, which is then removed by taking out the three Torx head cap screws.
3. Remove the breather hoses from the cylinder head breather bolts by gently pulling on them.
4. Now remove the backing plate and gasket from the throttle body by unbolting the cylinder head breather bolts. **NOTE:** Be sure that the gasket surface is clean and dry and that no gasket material remains stuck to it.

NOTE: For a 2021-Later "S" model Touring or 17-Later CVO and 18-Later "S" model Softail, a separate purchase of an induction module bracket from Harley Davidson, P/N 16400049 is necessary prior to installation of this air intake system.

INSTALLATION OF ROUND NAKED AIR FILTER KIT

1. For a clear understanding of this installation, it is best to refer to the exploded view diagram while reading these instructions.
2. When installing or servicing the air cleaner, apply Loctite 243 (blue) to threads of all fasteners.
3. Install the two cylinder head breather bolts (**10**). **NOTE:** Tighten the cylinder head breather bolts to 120-144 in-lbs (13.6-16.3 Nm).
4. Install the rear and front breather hoses (**8**) & (**7**) through the top two holes in the venturi backing plate (**6**), aligned as shown.
5. Using the three 1/4"-20 x 1/2" hex head screws (**9**), install the gasket (**11**) onto the throttle body. Only thread in the hex head screws halfway.
6. Slide the backing plate over the three hex head screws (**9**) on the throttle body. Rotate clockwise to lock the assembly in place. Tighten the three hex head screws. **NOTE:** Torque the screws to 55-60 in-lb (6.2-6.8 Nm).
7. Insert the breather hoses (Front #**8** & Rear #**7**) over the bleed bolts (**10**).
8. Using the remaining three 1/4"-20 x 1/2" button head cap screws (**4**), install the air filter element (**5**) and torque to 55-60 in-lbs (6.2-6.8 Nm).
9. Place the Skullcap (**3**) cover onto air filter. Make sure Vance and Hines logo is oriented to the 12 O'clock position.
10. Apply Loctite 243 (blue) to the threads on the 5/16"-18 x 5/8" button head cap screw (**1**). Insert the 5/16"-18 x 5/8" button head cap (**1**) screw through the poly washer (**2**) and skullcap cover hole into the center of the air filter element: tighten to 50-65 in/lbs.
11. After 100 miles check to be sure that these bolts are still tight. Periodically ensure that these screws remain tight.

CARE AND MAINTENANCE

1. **CHROME COVER.** When installing the chrome air filter cover, make sure your hands are clean and free of oil. After installation, thoroughly clean cover with a soft cloth and cleaning solvent that will leave no residue (chrome wax / polish, glass cleaner, alcohol, ammonia, etc.) before starting the motorcycle
2. **BLACK COVER.** When installing the black air filter cover, make sure your hands are clean and free of oil. After installation, thoroughly clean cover with warm soapy water and a clean soft cloth, taking care to not wet the filter element. Dry with clean towel to remove any residue before starting the motorcycle. **DO NOT** use anything abrasive to clean cover

Emissions Notice:

In California, in order to meet Air Resources Board emissions requirements, certain aftermarket part applications have been identified as replacements, and others have received ARB Executive Orders. All other emissions related aftermarket parts are for competition use only. A list of replacement parts and EO parts, and corresponding fitment is provided at vanceandhines.com/california.

Warranty:

All Vance & Hines products are warranted against defects in material and workmanship for a period of 90 days. This warranty does not cover discoloration or rust. This warranty shall be limited to the repair or replacement of the product, which may be proven defective under normal use. Vance & Hines will not warranty any system that has been abused, misused, improperly installed or modified.

Dealers or distributors are not authorized to make dispositions binding upon Vance & Hines. Vance & Hines will not be responsible for any labor charges incurred in removing or replacing any system under warranty. A return authorization number and a copy of the original purchase invoice must accompany all returns. Parts returned without a return authorization may be refused.

13861 ROSECRANS AVENUE / SANTA FE SPRINGS, CA 90670
SALES: (562) 921-5388
TECHNICAL: (562) 926-5291
FAX: (562) 802-0110

vanceandhines
.com