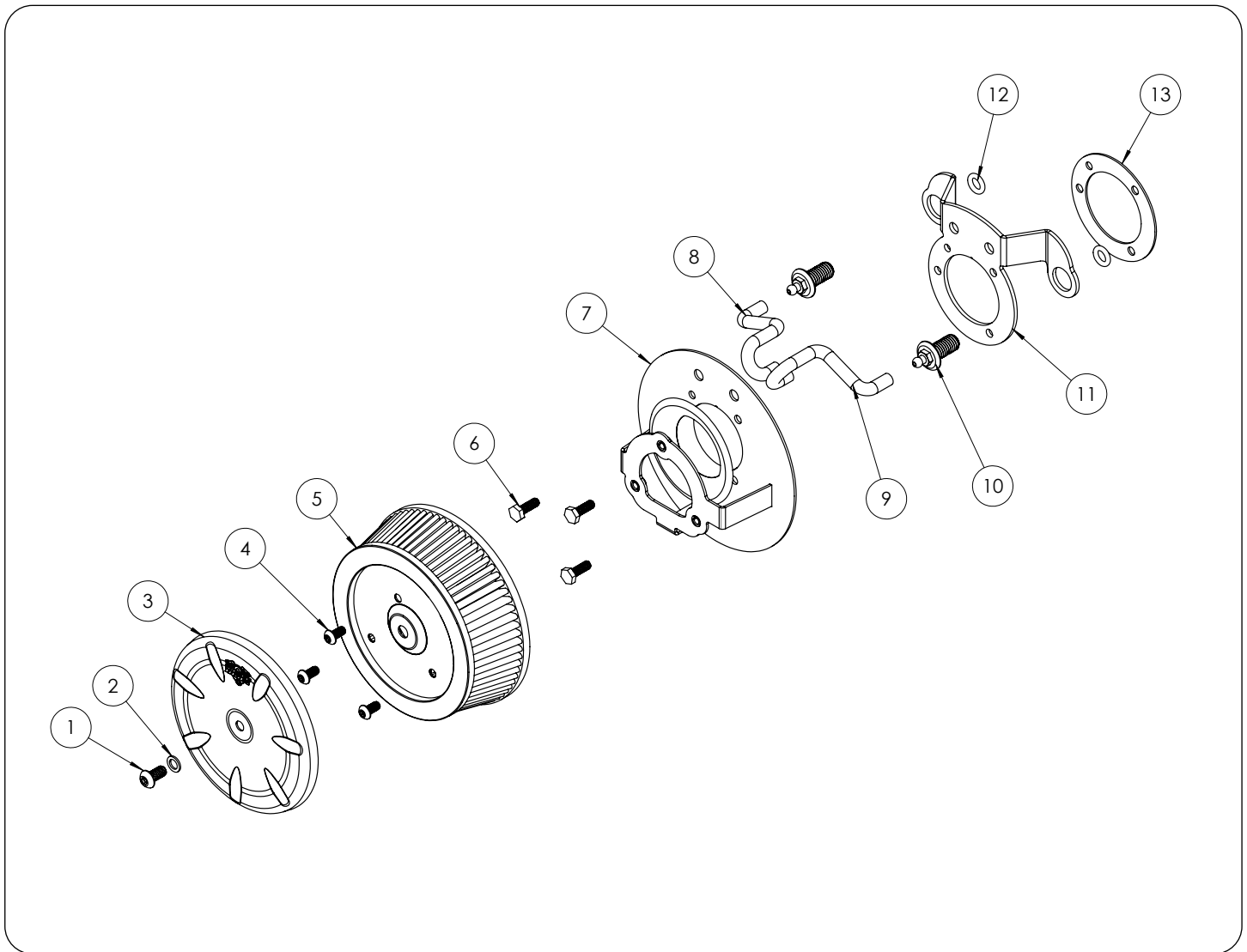




# INSTALLATION INSTRUCTIONS: HARLEY-DAVIDSON SPORTSTER VO2 **NAKED** ELIMINATOR SKULLCAP AIR INTAKE PART# 72385 - 42385

Congratulations, you have purchased the finest air intake available for your motorcycle. Your Vance & Hines air intake is designed and crafted for performance, quality and style. Please follow the instructions below, check exhaust system for missing or damaged parts and if you need any assistance please contact our technical support line (562) 921-7461.

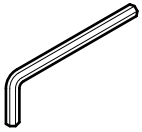
Exempt from emissions tampering regulations under CARB EO# D-632-7 for 2007-2022 Harley-Davidson Sportster Models



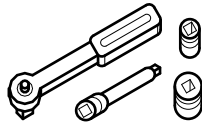
## PARTS LIST

NO.	Description	Qty.			
1	5/16-18x5/8" Button Head Screw	1	8	Rear Breather Hose	1
2	Washer	1	9	Front Breather Hose	1
3	Eliminator Skullcap	1	10	1/2-13 Breather Bolt	1
4	1/4-20x1/2 Button head screw	3	11	Throttle Body Mounting Plate	1
5	Air Filter	1	12	O-ring	2
6	1/4-20x3/4 Head Head Bolt	3	13	Throttle Body Gasket	1

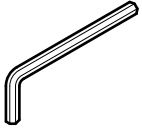
## TOOLS REQUIRED



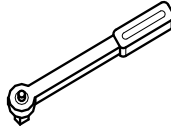
**T27 Torx Wrench**



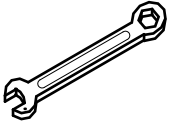
**1/4" or 3/8" Drive Ratchet  
5/32" Allen Socket**



**Allen Wrenches: 3/16"  
and 5/32"**



**Inch-Pound Torque  
Wrench**



**Combination Wrench  
7/16"**



**Phillips Screwdriver**

**Loctite 243 (blue)**

## OEM SYSTEM REMOVAL

1. Take off the air filter cover by removing the 5/16"-18 x 1/2" OE button head cap screw in the center.
2. This will expose the filter element, which is then removed by taking out the three Torx head cap screws.
3. Also remove the breather hoses from the cylinder head breather bolts by pulling on them.
4. Remove the three bolts that secure the backing plate to the throttle body and the two breather bolts that secure it to the cylinder heads.
5. Now remove the backing plate and gasket, wiring mount clip should be carefully pulled out of the plastic housing. **NOTE:** Be sure that the gasket surface is clean and dry and that no gasket material remains stuck to it.

## V&H AIR INTAKE INSTALLATION

1. For a clear understanding of this installation, it is best to refer to the exploded view diagram while reading these instructions.
2. When installing or servicing the air cleaner, apply Loctite 243 (blue) to the threads of all the fasteners.
3. Loosely install the throttle body mount bracket (11) and gasket (13) using the two cylinder head breather bolts (10) and breather bolt O-rings (12). **NOTE:** Make sure the gasket is installed with the correct rotation and right side up with the slightly smaller bleed hole in the top left hand corner. Tighten the cylinder head breather bolts (10) to 120-144 in-lbs (13.6-16.3 Nm) being careful not to pinch the breather bolt O-rings (12).
4. Install the rear and front breather hoses (9) & (8) through the side two holes in the filter backing plate (5), aligned as shown.
5. Using the three 1/4"-20 x 3/4" hex head screws (6) sandwich the the venturi backing plate (7), with the breather hoses (9&8), and install onto the throttle body. The slightly smaller bleed hole should be in the top left hand corner of the venturi backing plate (7) and should line up with the bleed hole of the gasket (13), mounting bracket (11). Make sure the inside edges of all of these parts are aligned before tightening to 55-60 in-lbs. (6.2-6.8 Nm). **NOTE:** A mount tab on the throttle body mount bracket (11) is supplied to mount the stock wiring mount clip.
6. Install the air filter (5) onto the venturi backing plate (7) with the 1/4-20x1/2 Button head screws (4) tightening to 55-60 in-lbs.
7. Place the Skullcap (3) cover onto air filter. Make sure Vance and Hines logo is oriented to 12 O'clock.
8. Apply Loctite 243 (blue) to the threads on the 5/16"-18 x 5/8" button head cap screw (1). Insert the 5/16"-18 x 5/8" button head cap (1) screw through the poly washer (2) and skullcap cover hole into the center of the air filter element: tighten to 50-65 in/lbs.
9. After 100 miles check to be sure that all bolts are still tight. Periodically ensure that these screws remain

## CARE AND MAINTENANCE

1. **CHROME COVER.** When installing the chrome air filter cover, make sure your hands are clean and free of oil. After installation, thoroughly clean cover with a soft cloth and cleaning solvent that will leave no residue (chrome wax / polish, glass cleaner, alcohol, ammonia, etc.) before starting the motorcycle
2. **BLACK COVER.** When installing the black air filter cover, make sure your hands are clean and free of oil. After installation, thoroughly clean cover with warm soapy water and a clean soft cloth, taking care to not wet the filter element. Dry with clean towel to remove any residue before starting the motorcycle. **DO NOT** use anything abrasive to clean cover

### Emissions Notice:

In California, in order to meet Air Resources Board emissions requirements, certain aftermarket part applications have been identified as replacements, and others have received ARB Executive Orders. All other emissions related aftermarket parts are for competition use only. A list of replacement parts and EO parts, and corresponding fitment is provided at [vanceandhines.com/california](http://vanceandhines.com/california).

### Warranty:

All Vance & Hines products are warranted against defects in material and workmanship for a period of 90 days. This warranty does not cover discoloration or rust. This warranty shall be limited to the repair or replacement of the product, which may be proven defective under normal use. Vance & Hines will not warranty any system that has been abused, misused, improperly installed or modified.

Dealers or distributors are not authorized to make dispositions binding upon Vance & Hines. Vance & Hines will not be responsible for any labor charges incurred in removing or replacing any system under warranty. A return authorization number and a copy of the original purchase invoice must accompany all returns. Parts returned without a return authorization may be refused.

13861 ROSECRANS AVENUE / SANTA FE SPRINGS, CA 90670

SALES: (562) 921-5388  
TECHNICAL: (562) 926-5291  
FAX: (562) 802-0110

**vanceandhines**  
**.com**