



|                        |               |                               |              |
|------------------------|---------------|-------------------------------|--------------|
| <b>EAN:</b>            | 4013288194961 | <b>Size:</b>                  | 320x80x50 mm |
| <b>Part number:</b>    | 05003972001   | <b>Weight:</b>                | 470 g        |
| <b>Article number:</b> | Belt B 3      | <b>Country of origin:</b>     | TW           |
|                        |               | <b>Customs tariff number:</b> | 82042000     |

- 9-piece bit-socket set on a robust textile belt, 3/8"
- Bit-sockets with all the advantages of the Wera bit technology
- Bit-sockets with holding function for screws/bolts
- Smooth Twist to Unlock mechanism for a secure fit and simple removal of the sockets
- Suitable for attachment to a wall, shelf, tool trolley and to the Wera 2go System

Typically Wera designed robust textile belt with 9 sockets taking up minimal space. A smooth Twist to Unlock mechanism ensures a secure fit and simple removal of the sockets. Comes with "Take it easy" Tool Finder with colour coding according to size to enable the right tool to be selected easily and quickly. Includes a snap hook for secure fastening to a belt loop or pocket. Especially short, stable bit-sockets with all the advantages of the Wera bit technology. Bit sockets with holding function for particularly convenient screwdriving with reduced risk of losing the screw when approaching the workpiece. Supplied with a nonwoven reverse side and hook and loop strips for simple attachment e.g. to a wall, shelf, tool trolley and to the Wera 2go tool transport system.

**Web link**



[https://products.wera.de/en/zyklop\\_ratchets\\_and\\_accessories\\_the\\_zyklop\\_ratchets\\_the\\_zyklop\\_ratchets\\_3\\_8\\_zyklop\\_accessories\\_3\\_8\\_belt\\_b\\_3.html](https://products.wera.de/en/zyklop_ratchets_and_accessories_the_zyklop_ratchets_the_zyklop_ratchets_3_8_zyklop_accessories_3_8_belt_b_3.html)

Wera - Belt B 3  
05003972001 - 4013288194961

Wera Werkzeuge GmbH  
Korzter Straße 21-25  
D-42349 Wuppertal  
Tel: +49 (0)2 02 / 40 45-0  
E-Mail: [info@wera.de](mailto:info@wera.de)

Zyklop Accessories, 3/8"

Set contents:

|   |                     |                     |   |                 |
|---|---------------------|---------------------|---|-----------------|
|  | <b>8767 B HF</b>    |                     | <b>Belt B 0/9</b>   |                 |
|   | 05003059001         | 1 x TX 10 x 35 mm   |  | 1 x 45 x 310 mm |
|   | 05003060001         | 1 x TX 15 x 35 mm   |   |                 |
|   | 05003061001         | 1 x TX 20 x 35 mm   |   |                 |
|   | 05003062001         | 1 x TX 25 x 35 mm   |   |                 |
|   | 05003064001         | 1 x TX 27 x 35 mm   |   |                 |
|   | 05003066001         | 1 x TX 30 x 35 mm   |   |                 |
|   | 05003068001         | 1 x TX 40 x 35 mm   |   |                 |
|   | 05003070001         | 1 x TX 45 x 38.5 mm |   |                 |
| 05003072001   | 1 x TX 50 x 38.5 mm |                     |   |                 |
|  | <b>K30</b>          | 1 x 30 x 200 mm     |   |                 |

Wera Belts



Whoever would have thought that the storage of sockets could be completely revolutionised and that someone could come up with a stylish belt with securely attached sockets that can still be easily removed.

Bit sockets with holding function for TORX® screws



The HF tools developed by Wera are ideal because they feature an optimised geometry of the original TORX® profile. The wedging forces resulting from the surface pressure between the drive tip and the screw profile mean that TORX® screws made according to Acument Intellectual Properties specifications are securely held on the tool!

Manual and machine sockets



The manual and machine sockets can be used both for hand and power tools use (non-impact). Users need just one socket set for all applications.

Take it easy tool finder system



Take it easy tool finder system - with profile and size colour-coding for quick and easy tool selection. Colour-coded system for hexagon drive screws (L-Keys, Zyklop bit sockets), external hex drive screws and nuts (Joker wrenches, Zyklop sockets and Zyklop bit sockets with holding function), and TORX® drive screws (L-Keys, Zyklop bit sockets).

Web link

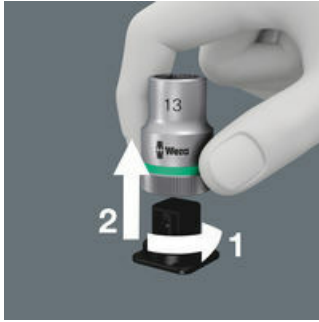
[https://products.wera.de/en/zyklop\\_ratchets\\_and\\_accessories\\_the\\_zyklop\\_ratchets\\_the\\_zyklop\\_ratchets\\_3\\_8\\_zyklop\\_accessories\\_3\\_8\\_belt\\_b\\_3.html](https://products.wera.de/en/zyklop_ratchets_and_accessories_the_zyklop_ratchets_the_zyklop_ratchets_3_8_zyklop_accessories_3_8_belt_b_3.html)

Wera - Belt B 3  
05003972001 - 4013288194961

Wera Werkzeuge GmbH  
Korzter Straße 21-25  
D-42349 Wuppertal  
Tel: +49 (0)2 02 / 40 45-0  
E-Mail: info@wera.de

Zyklop Accessories, 3/8"

Secure hold and easy removal



The all new smooth turning mechanism guarantees both secure and rattle-free storage, yet allows easy removal of the tool.

Practical nonwoven strips



The textile belt can be attached by means of the nonwoven reverse side and the hook and loop strips e.g. to a wall, shelf, tool trolley and to the Wera 2go tool transport system.

Comes with convenient snap hook



The robust textile belt can be secured to a belt loop or pocket by means of the snap hook.

Web link

[https://products.wera.de/en/zyklop\\_ratchets\\_and\\_accessories\\_the\\_zyklop\\_ratchets\\_the\\_zyklop\\_ratchets\\_3\\_8\\_zyklop\\_accessories\\_3\\_8\\_belt\\_b\\_3.html](https://products.wera.de/en/zyklop_ratchets_and_accessories_the_zyklop_ratchets_the_zyklop_ratchets_3_8_zyklop_accessories_3_8_belt_b_3.html)

Wera - Belt B 3  
05003972001 - 4013288194961

Wera Werkzeuge GmbH  
Korzter Straße 21-25  
D-42349 Wuppertal  
Tel: +49 (0)2 02 / 40 45-0  
E-Mail: [info@wera.de](mailto:info@wera.de)