



YOSHIMURA

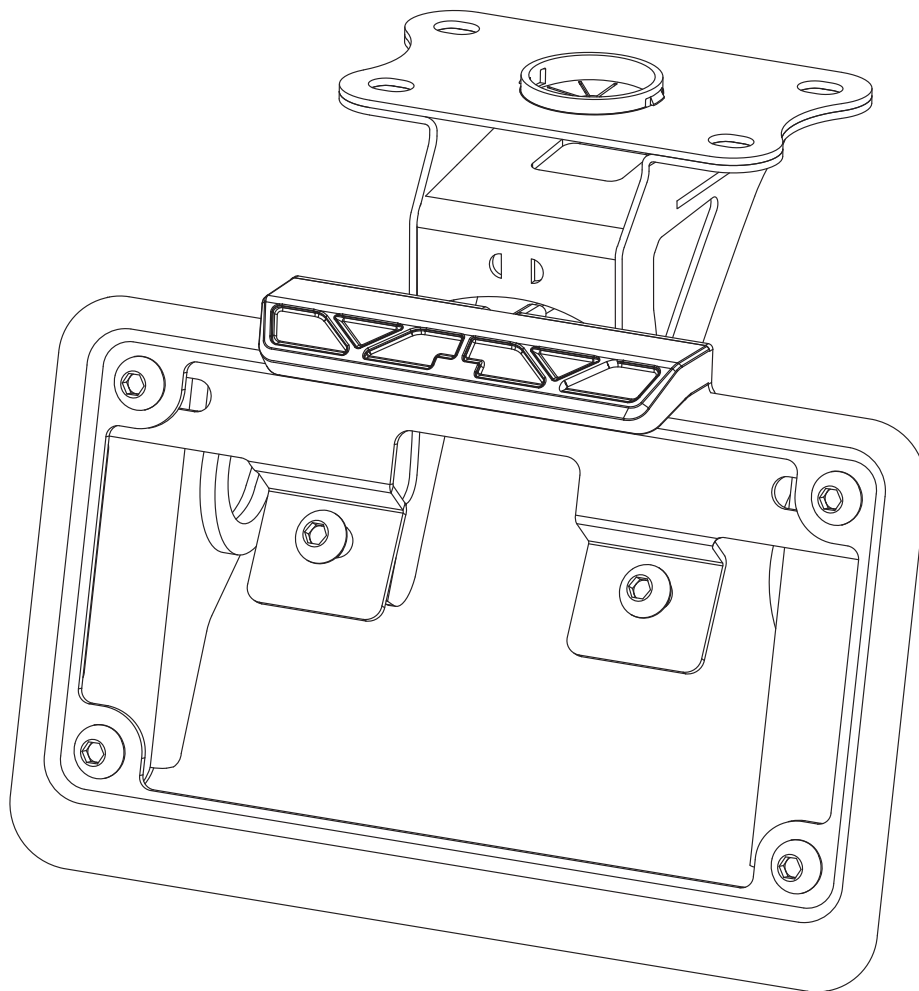
RESEARCH&DEVELOPMENT OF AMERICA, INC.

5420 DANIELS STREET STE A, CHINO CA., 91710 · (800)634-9166 · (909)628-4722 · FAX (909)591-2198

www.yoshimura-rd.com

FENDER ELIMINATOR KIT

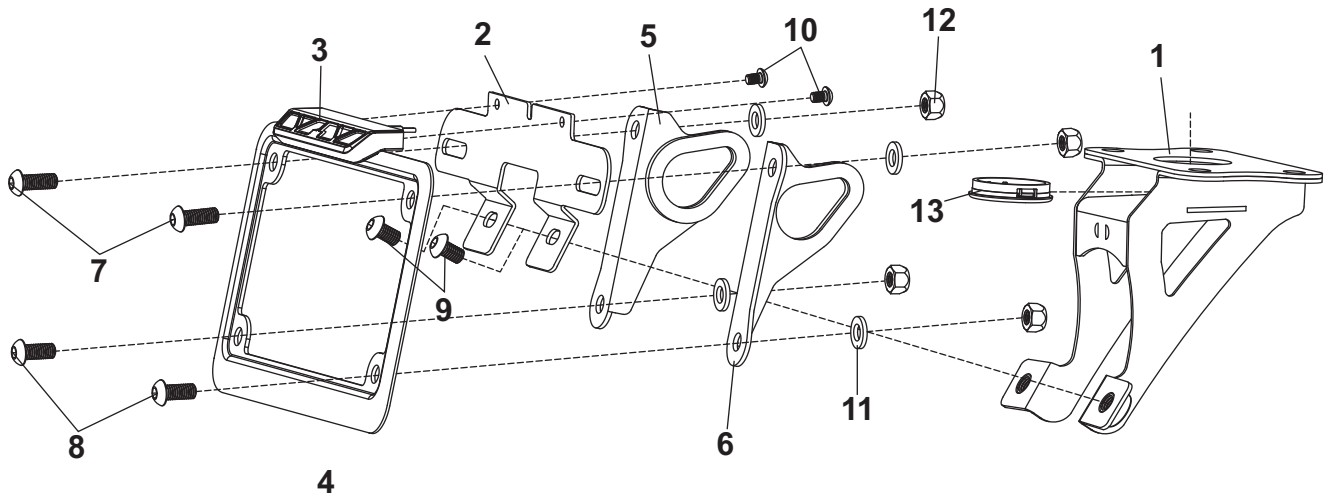
070BG137200
Yamaha R7



THIS PRODUCT IS NOT DOT APPROVED.

Yoshimura R&D of America, Inc. is not liable or responsible for any resulting event caused by the installation of this product. Check with local laws and regulations for compliance prior to installation and use. This product is not intended for use on public highways.





No.	Item	Description	Qty.
1	13720-FEBKT	Fender Eliminator Bracket	1
2	070BG-UNV-FEBKT	License Plate bracket	1
3	070BG-LH-K1	LED License Plate Light	1
4	070BG-LPF	License Plate Frame	1
5	13992-TSB-L	Left Turn Signal Bracket	1
6	13992-TSB-R	Right Turn Signal Bracket	1
7	M6X16BHS	6mm x 16mm Button Head Screw	2
8	M6X14BHS	6mm x 14mm Button Head Screw	2
9	M6X10BHS	6mm x 10mm Button Head Screw	2
10	M4X6BHS	4mm x 6mm Button Head Screw	2
11	6MMWASHER	6mm Washer	4
12	6MMLN	6mm Nylon Lock Nut	4
13	H-2158	Dust Grommet	1
**	BN-SSS-22-18	Solder Shrink Connectors	2
**	ZT-300	Cable Ties	3
**	17100	Yoshimura Sticker Sheet	1
Optional Parts			
***	070BGUNVTBKT	Universal Turn Signal Bracket Kit	

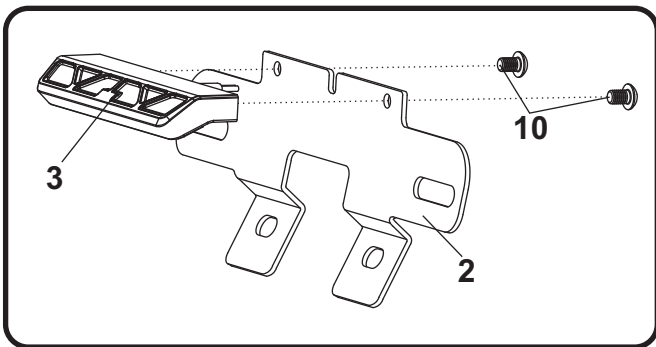
*** The Yoshimura Universal Turn Signal Bracket Kit is to be used with aftermarket stud-mounted turn signals and is sold separately.

Removal

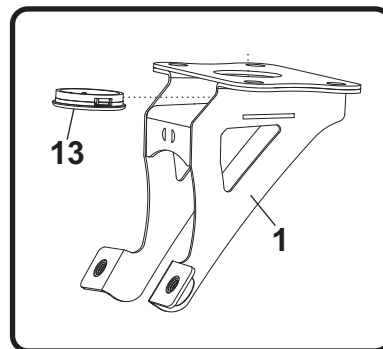
1. Remove passenger and rider seat.
2. Remove the center cover between passenger and rider seat.
3. Remove the upper tail cover above the tail light.
4. Remove left and right rear side covers as per Factory Service / Owners Manual.
5. Disconnect license plate light and turn signal connectors.
6. While securely supporting the stock fender assembly, remove the four bolts securing the fender assembly to subframe. Carefully remove the stock fender assembly making sure not to damage the license plate light wire and turn signal connectors.
7. Disassemble the stock fender assembly and remove left and right turn signals.
8. Cut the stock license plate light connector from the stock fender assembly. Be sure to cut at least a 6" section of wire from the connector.

Installation

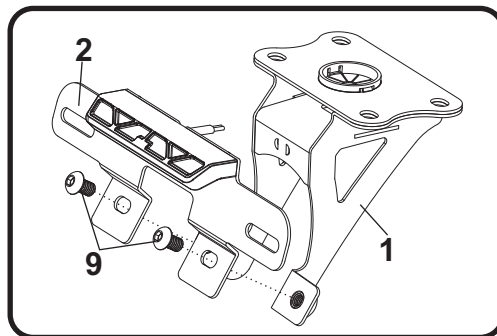
1. Install (No. 3) *070BG-LH-K1*, Yoshimura license plate light onto (No. 2) *070BG-UNV-FEBKT*, Yoshimura license plate bracket using (No. 10) *M4X6BHS*, 4mm button head screw.



2. Install (No. 13) *H-2158*, dust grommet onto (No. 1) *13720-FEBKT*, fender eliminator bracket by pushing the grommet into the top plate of the bracket.



3. Install (No. 2) *070BG-UNV-FEBKT*, license plate bracket onto (No. 1) *13720-FEBKT*, fender eliminator bracket using (No. 9) *M6X10BHS*, 6mm button head screw.



4. Install (No. 1) *13720-FEBKT*, fender eliminator bracket to subframe using the stock bolts.
5. Using the *BN-SSS-22-18*, solder shrink connectors provided in the kit, connect Yoshimura license plate light wires to the stock license plate light wires as follows:

Red -to- Blue
Black -to- Black

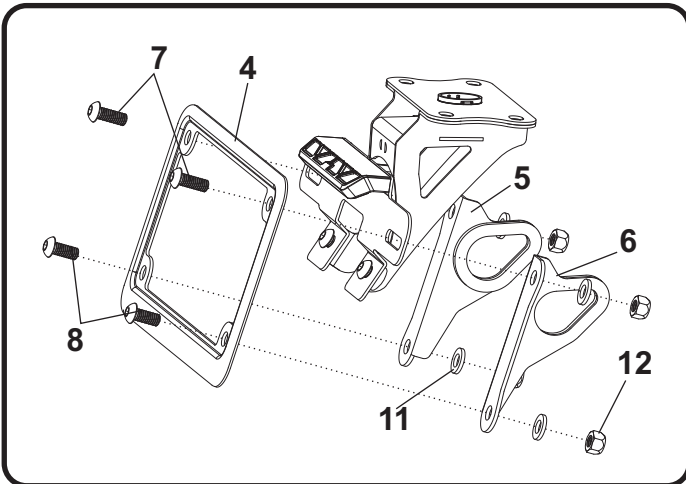
- a) Strip the stock fender light wire ends 1/4" - 1/2" and insert into *BN-SSS-22-18*, solder shrink connectors provided in the kit.
- b) Center the spliced wire ends in the middle and using a heatgun or lighter, apply heat evenly on the outer edges of the solder shrink connectors to shrink and hold wires in place.
- c) Making sure that the stripped ends are centered, heat the center of the butt connector evenly until the solder begins to liquify.

- d) Allow to cool completely and tug both ends of the wires to verify that connection is secured.

Scan for link to solder shrink connectors instruction video.



6. Install the stock left and right turn signals onto (No. 5,6) *13992-TSB-L/R*, turn signal brackets using the stock hardware.
7. Install (No. 5,6) *13992-TSB-L/R*, turn signal brackets and (No. 4) *070BG-LPF*, license plate frame using the (No. 7,8) *M6X16BHS* and *M6X14BHS*, 6mm button head screws and secure with (No.11,12) *6MMWASHER* and *6MMLN*, 6mm washer and 6mm locking nut as shown in the diagram.



8. Route license plate light and turn signal wires through the (No. 13) *H-2158*, dust grommet, under passenger seat, and reconnect.
9. Re-install left and right rear side covers using the reverse steps of removal.
10. Re-install upper tail cover.
11. Re-install center cover.
12. Re-install rider and passenger seat.
13. Check for proper function of license plate light, turn signals, brake light, and that all brackets and components are secure prior to riding.