



YOSHIMURA

RESEARCH&DEVELOPMENT OF AMERICA, INC.

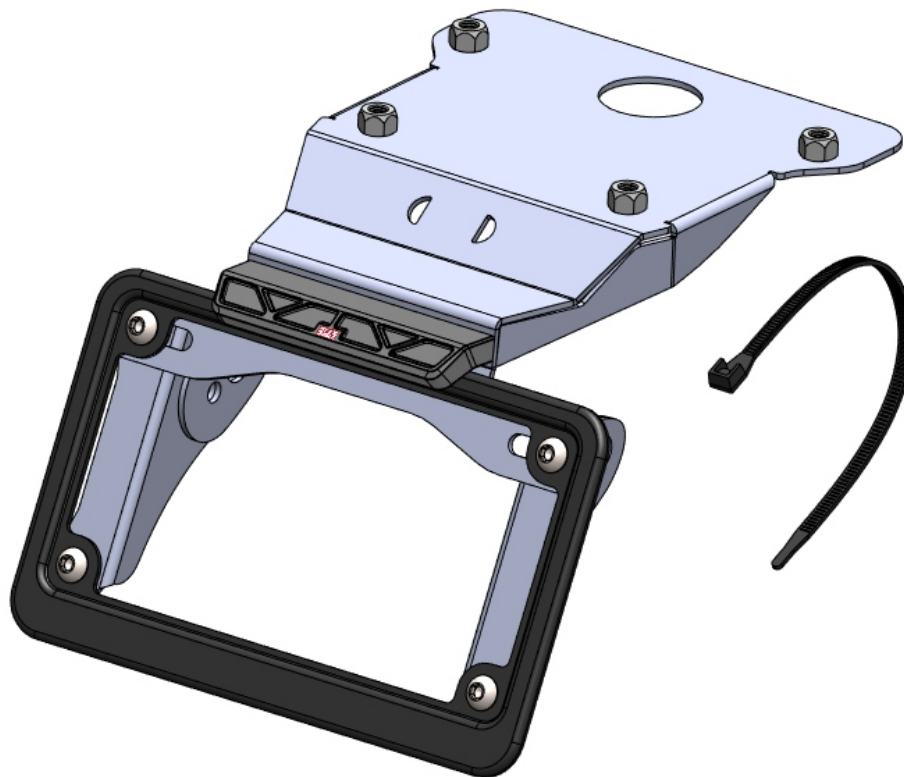
5420 DANIELS STREET STE A, CHINO CA., 91710 · (800) 634-9166 · (909) 628-4722 · FAX (909) 591-2198

www.yoshimura-rd.com

FENDER ELIMINATOR KIT

070BG191400

Harley-Davidson Pan America 1250

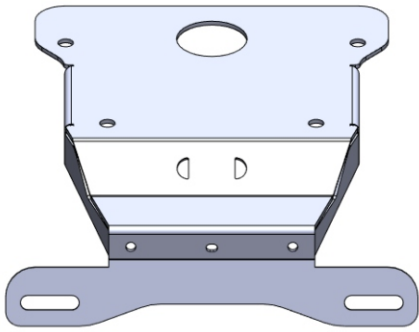


THIS PRODUCT IS NOT DOT APPROVED.

Yoshimura R&D of America, Inc. is not liable or responsible for any resulting event caused by the installation of this product. Check with local laws and regulations for compliance prior to installation and use. This product is not intended for use on public highways.

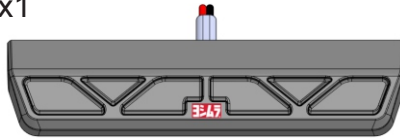


x1



19140-FEBKT
Fender Eliminator Bracket

x1



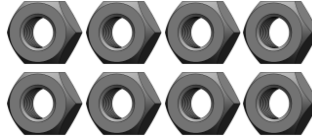
070BG-LH-K1
License Plate Light

x1



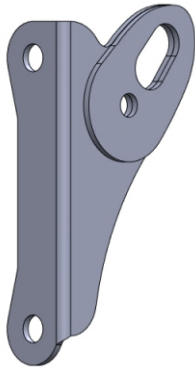
070BG-LPF
License Plate Frame

x8



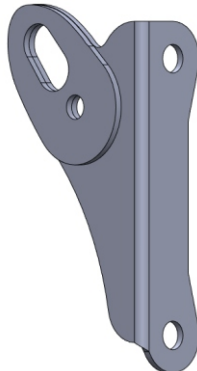
6MMLN
6mm Nylon Lock Nut

x1



19140-TSB-L
Left Turn Signal Bracket

x1



19140-TSB-R
Right Turn Signal Bracket

x2



M6X16BHS
6mm x 16mm
Button Head Screws

x2



M6X14BHS
6mm x 14mm
Button Head Screws

x2



M4X6BHS
4mm x 6mm
Button Head Screws

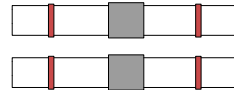
x4



6MMWASHER
6mm Washer

Assembly Diagram

x2

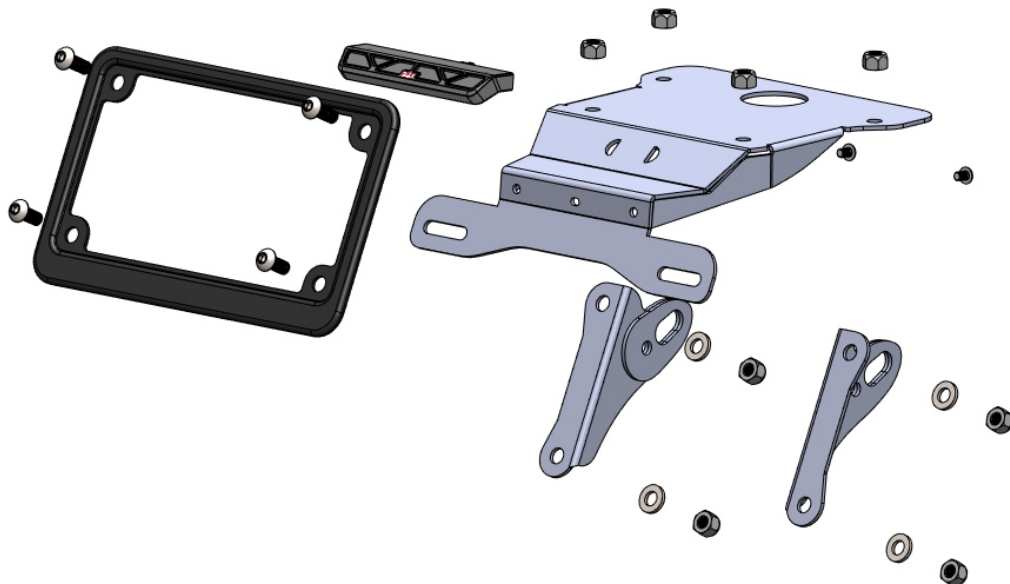


BN-SSS-22-18
Solder Connector

x1



ZT-400
Cable Tie

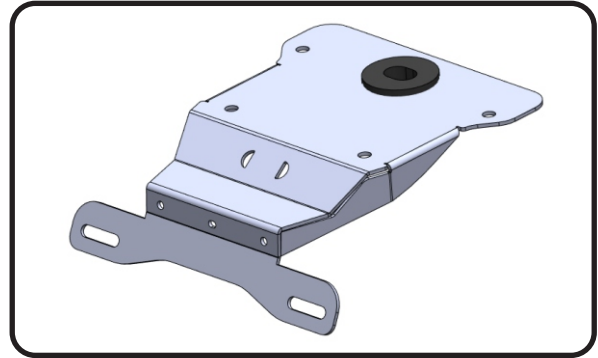


Removal

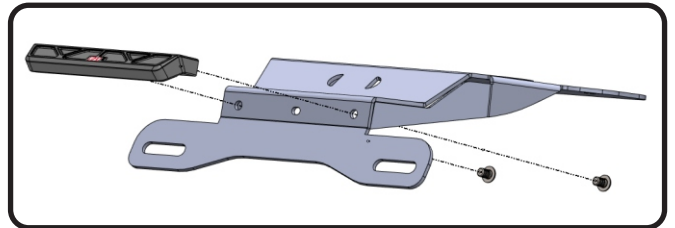
1. Remove passenger and rider seat.
2. Remove the four torx bolts securing passenger seat tray to subframe and lift tray to access license plate light and turn signal connectors.
3. Locate and disconnect license plate light and turn signal connectors.
4. While securely supporting the stock fender assembly, remove the four bolts securing fender assembly to chassis and carefully remove the fender assembly.
5. Remove the rubber wire grommet from the stock fender as it will be re-used with the Yoshimura fender bracket.
6. Disassemble the stock fender assembly and remove left and right turn signals from the stock fender assembly.
7. Cut the stock license plate light connector from the stock fender assembly. Be sure to cut at least a 6" section of wire from the connector.

Installation

1. Install stock wire grommet into *19140-FEBKT*, fender bracket.



2. Install *070BG-LH-K1*, LED light onto *19140-FEBKT*, fender bracket using *M4X6BHS*, 4mm screws.



3. Route wire through hole in *19140-FEBKT*, fender bracket and using the *BN-SSS-22-18*, solder shrink connectors provided in the kit, connect Yoshimura license plate light wires to the stock license plate light wires as follows:

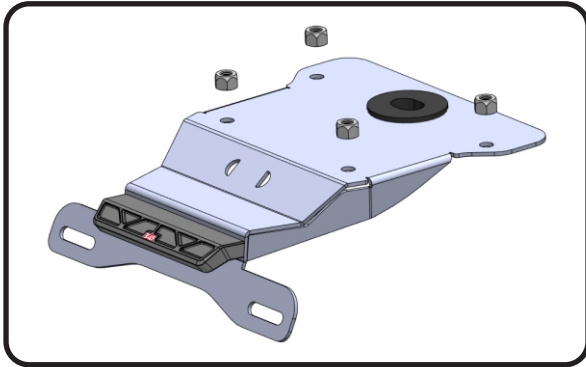
Red -to- Blue
Black -to- Black

- a) Strip the stock fender light wire ends 1/4" - 1/2" and insert into *BN-SSS-22-18*, solder connectors provided in the kit.
- b) Center the spliced wire ends in the middle and using a heatgun or lighter, apply heat evenly on the outer edges of the solder connector to shrink and hold wires in place.
- c) Making sure that the stripped ends are centered, heat the center of the solder connector evenly until the solder begins to liquify.
- d) Allow to cool completely and tug both ends of the wires to verify that connection is secured.

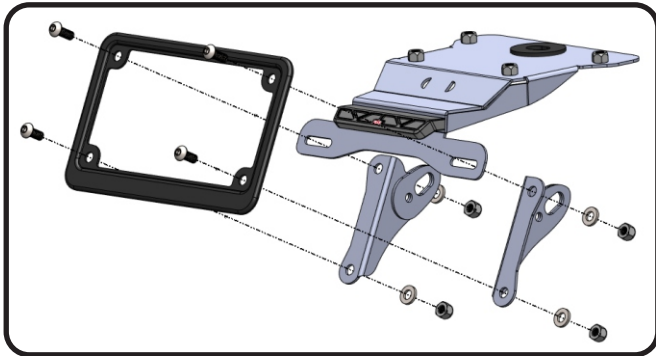
Scan for link to butt connector instruction video.



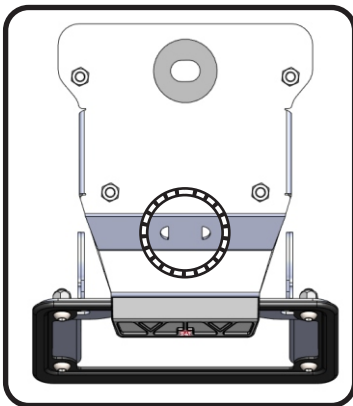
4. Install *19140-FEBKT*, fender bracket to subframe using the stock bolts and supplied *6MMLN*, 6mm lock nuts. Torque to factory specifications.



5. Install the stock left and right turn signals onto *19140-TSB-L/R*, turn signal brackets.
6. Install *19140-TSB-L/R*, turn signal brackets and *070BG-LPF*, license plate frame using the *M6X16BHS* and *M6X14BHS*, 6mm button head screws, *6MMWASHER*, 6mm washers, and *6MMLN*, 6mm lock nuts as shown.



7. Route turn signal wires through hole in *19140-FEBKT*, fender bracket and through undertail. Secure license plate light wire and turn signal wires to *19140-FEBKT*, fender bracket using supplied *ZT-400*, cable tie.



8. Re-connect license plate light and turn signal connectors.

9. Re-install and secure passenger seat tray using reverse steps of removal.
10. Re-install rider seat and passenger seat.
11. Check for proper function of license plate light and turn signals and that all brackets and components are secure prior to riding.