



YOSHIMURA

RESEARCH&DEVELOPMENT OF AMERICA, INC.

5420 DANIELS STREET STE A, CHINO CA., 91710 · (800) 634-9166 · (909) 628-4722 · FAX (909) 591-2198

www.yoshimura-rd.com

RACE SERIES

Qualified Manufacturer Declared "Modified Part"

2019

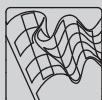
Honda Monkey

12130A5500 (SS/SS)

Works Finish

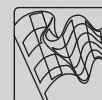
RS-3 Stainless Steel Full-System

FOR CLOSED COURSE COMPETITION ONLY; NOT INTENDED FOR STREET USE



Race Series systems are:

- NOT CARB/EPA tail-pipe emissions compliant.
- NOT street legal.
- For "Closed Course Competition" use only.

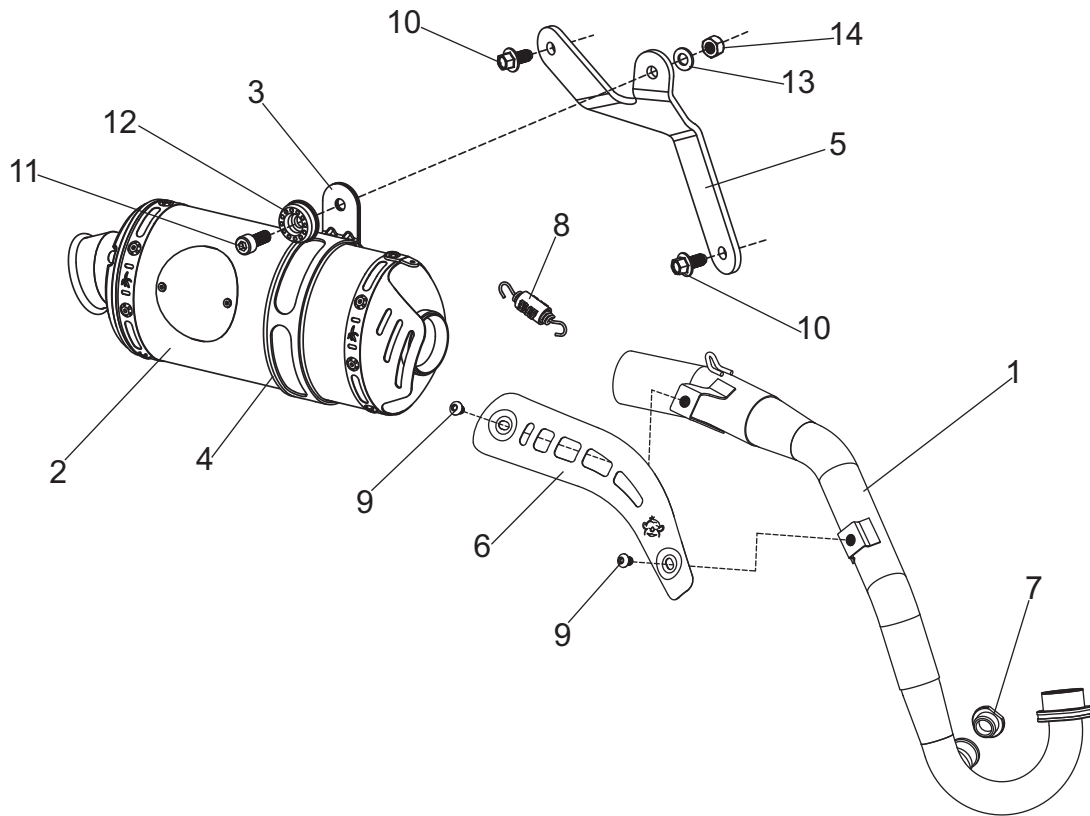


You must know how to remove and replace your stock exhaust in order to install this product otherwise have it installed by a professional mechanic. Keep all stock parts from your existing system as some components may be necessary to install your new Yoshimura exhaust depending on the application. Read through all instructions before beginning installation. Exhaust system can be extremely hot. Let motorcycle cool down before beginning installation. Always wear hand and eye protection and take precautionary measures to avoid injury.



NOTE: IN THE STATE OF CALIFORNIA, IT IS ILLEGAL TO MODIFY THE EMISSION CONTROL SYSTEM, WHICH INCLUDES THE CARBURETORS OF ANY VEHICLE.

Assembly Diagram



No.	Item	Description	Qty.
1	12130-401D	Yoshimura Header	1
2	12130B5500-RMA	Yoshimura Muffler Assembly	1
3	12130-MPCX	Muffler Clamp	1
4	HT SHLDR77	Muffler Clamp Heat Insulator	1
5	12130-BKT	Muffler Mount Bracket	1
6	12130-HS	Heatshield	1
7	M18X13PLG	O2 Sensor Bung Plug	1
8	RACE-SPS-1	Medium Spring	1
9	RC116HSB	6mm x 8mm Flanged Button Head Screw	2
10	M8X16H	8mm x 16mm Flanged Hex Head Bolt	2
11	M8X20	8mm x 20mm Socket Head Cap Bolt	1
12	M8ALCSW-00	8mm Aluminum Counter Sink Washer	1
13	8MMWASHER	8mm Washer	1
14	8MMLN	8mm Lock Nut	1
**	ST-200	Spring Puller Tool	1
**	21141141	Monkey Decal	2
Optional Parts			
	1290-INS	Low Volume Sound Insert	

** Not shown in diagram.

CAUTION: Exhaust system can be extremely hot. Let motorcycle cool down before beginning installation. Always wear hand and eye protection and take precautionary measures to avoid injury.

WARNING: Always properly support vehicle with a stand and/or lift when servicing or performing any work. Unstable vehicles may present dangerous conditions and may cause property damage and/or personal injury.

NOTE: Read through all instructions before beginning installation.

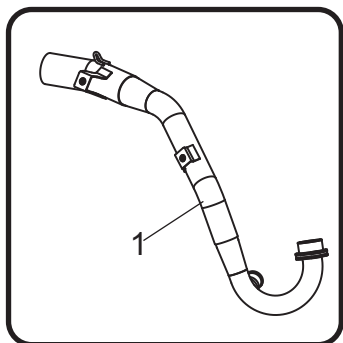
Removal

1. Remove the muffler heatshield bolt and remove muffler heatshield.
2. Loosen muffler exhaust clamp.
3. While securely supporting the stock muffler, remove the two muffler mount bolts and carefully remove the stock muffler assembly.
4. Remove the header chassis mount bolt. While securely supporting the stock header, remove the two header nuts and carefully remove the stock header.

Note: The stock exhaust port gasket will be re-used with the Yoshimura system. Inspect and replace if necessary.

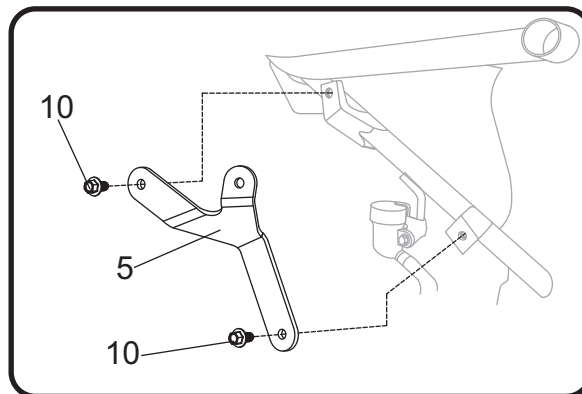
Installation

1. Install (No. 1) 12130-401D, header using the stock header nuts. Do not torque at this time.

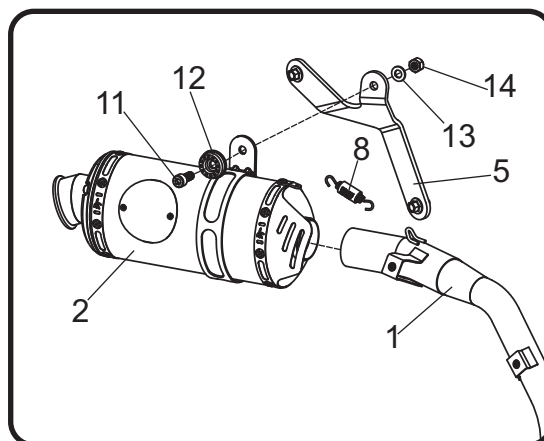


2. Install (No. 4) HT SHLDR77, muffler clamp heat insulator onto (No. 3) 12130-MPCX, muffler clamp and trim excess heat insulator.

3. Install (No. 5) 12130-BKT, muffler mount bracket to frame using (No. 10) M8X16H, 8mm bolts.



4. Install (No. 2) muffler over (No. 1) 12130-401D, header outlet. Slide (No. 3) 12130-MPCX, muffler clamp over (No. 2) muffler and align to (No. 5) 12130-BKT, muffler bracket. Secure using (No. 11) M8X20, 8mm bolt, (No. 12) M8ALCSW-00, countersink washer, (No. 13,14) 8MMWASHER, washer and 8MMLN, nut.



5. Install (No. 8) RACE-SPS-1, medium spring between muffler and tailpipe.
6. Torque header nuts to factory specifications.
7. Install (No. 6) 12130-HS, heatshield onto (No. 1) 12130-401D, header using (No. 9) RC116HSB, 6mm heatshield screws.
8. Install (No. 7) M18X13PLG, O2 sensor bung plug into (No. 1) 12130-401D, header if aftermarket O2 sensor will not be used.
9. Before starting vehicle, check for proper clearance between new exhaust system and rear suspension (i.e. tire, swingarm, brakes, rear shock, and etc.) If any problem is found, please carefully follow through the installation steps again. If problem still persists, please call Yoshimura Tech Department at (800) 634-9166 / in CA (909) 628-4722.

10. It is recommended that the muffler and tailpipe be wiped down with rubbing alcohol to remove oil and fingerprints. This will help prevent tarnishing of the finish after the exhaust is heated up.

Note: After starting vehicle, it is normal for new exhaust system and muffler to emit smoke until oil residue burns off.

Works Finish Care & Maintenance

Before starting vehicle, clean pipe thoroughly using a soft cloth and rubbing alcohol to remove any oil and finger prints.

The color of the exhaust will change once the system has gone through a heat cycle of 15 minutes or more. Color will vary depending on lean/rich conditions.

Clean using a soft cloth and soap. Do not use abrasive materials as it will scratch the surface.

Surface reconditioning services are available to remove scratches and undesirable discoloration due to extreme heat. Contact Yoshimura Tech Department at (800) 634-9166 / in CA (909) 628-4722 for more information.