



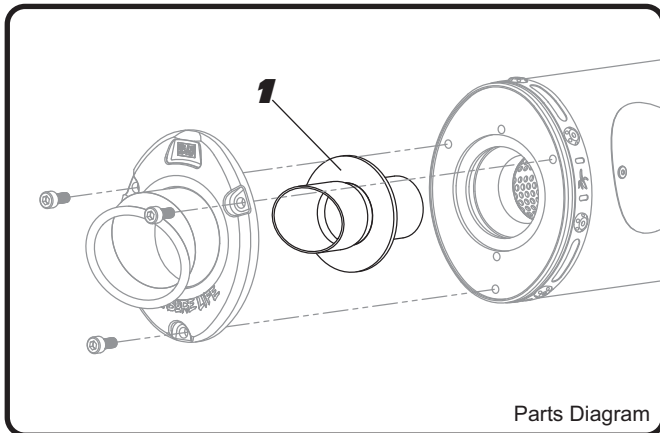
# YOSHIMURA

RESEARCH&DEVELOPMENT OF AMERICA, INC.

5420 DANIELS STREET SUITE A, CHINO, CA 91710 · (800) 634-9166 · (909) 628-4722 · FAX (909) 591-2198

[www.yoshimura-rd.com](http://www.yoshimura-rd.com)

**INS-28-K | HONDA MONKEY RS-3 LOW VOLUME INSERT KIT**



Parts Diagram

NO.	DESCRIPTION	QTY	PART #
1	Monkey Insert	1	12130-INS

1. Remove the three endcap bolts
2. Remove endcap and install insert.
3. Re-install endcap and endcap bolts.

**NOTE:** It is recommended that a low strength "Loc-tite" is used on the endcap bolts.



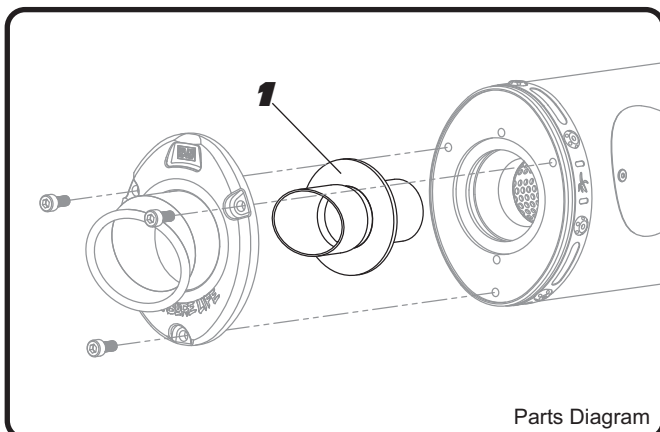
# YOSHIMURA

RESEARCH&DEVELOPMENT OF AMERICA, INC.

5420 DANIELS STREET SUITE A, CHINO, CA 91710 · (800) 634-9166 · (909) 628-4722 · FAX (909) 591-2198

[www.yoshimura-rd.com](http://www.yoshimura-rd.com)

**INS-28-K | HONDA MONKEY RS-3 LOW VOLUME INSERT KIT**



Parts Diagram

NO.	DESCRIPTION	QTY	PART #
1	Monkey Insert	1	12130-INS

1. Remove the three endcap bolts
2. Remove endcap and install insert.
3. Re-install endcap and endcap bolts.

**NOTE:** It is recommended that a low strength "Loc-tite" is used on the endcap bolts.